

KombiSIGN 70 / Terminal Element

**Terminal element BWM 12-230VAC/DC BK**



Part No.:	840.085.00
Series:	KombiSIGN 70



**MECHANICAL DATA**

Height	44 mm
Diameter	70 mm
Materials	PA-GF PC/ABS
Housing colour	Black
Protection category	IP54
Connection	Screw terminals
cross-sectional area maximum	1,50mm <sup>2</sup> / 16AWG
Cable entry	Through hole
Cable entry maximum	d = 11 mm
Type of fixing	Base mounting Wall mounting
Working temperature minimum	-20°C
Working temperature maximum	+50°C
UL Type Rating	Type 12
Weight with packaging	115 g
Product weight	103 g

**ELECTRICAL DATA**

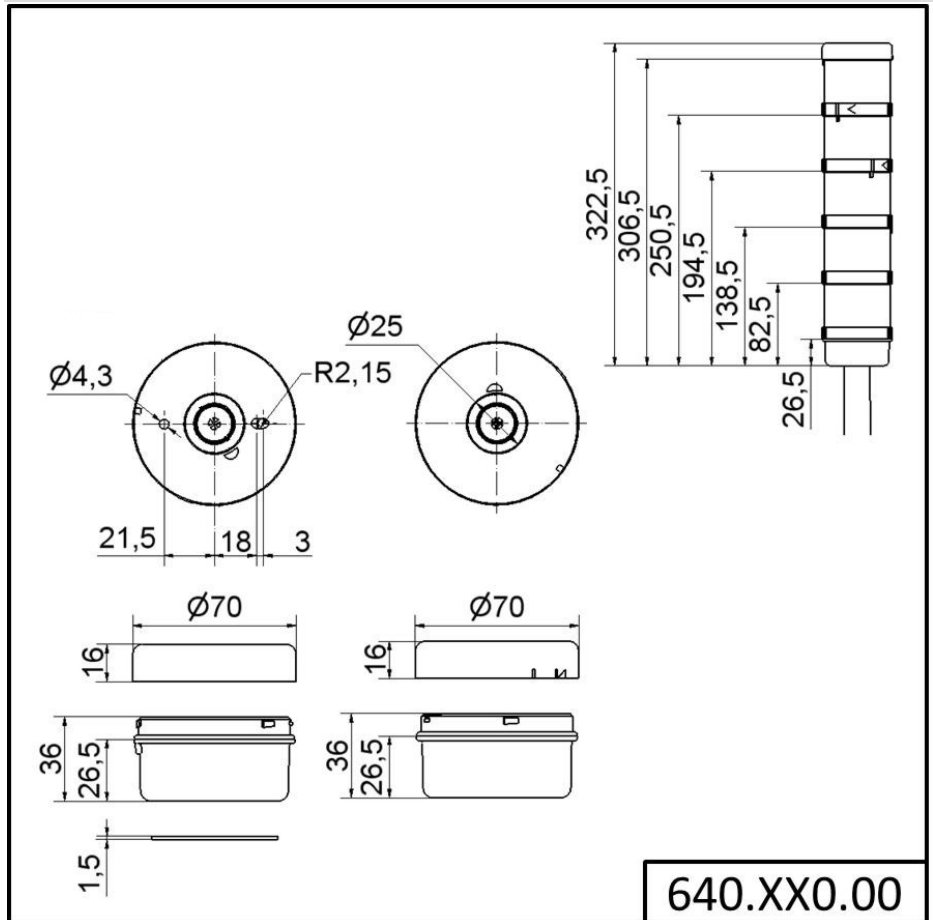
Operating voltage	12-230V
Operating voltage type	AC/DC
Protection class	Protection class 2
Pollution degree	3
Overtoltage category	II
Isolation voltage	U <sub>i</sub> = 250V; U <sub>imp</sub> = 2.500V

! For additional installation and mounting information, refer to the appropriate user guide at [www.werma.com](http://www.werma.com). This printed copy is for information only and is subject to alteration.

KombiSIGN 70 / Terminal Element

**Terminal element BWM 12-230VAC/DC BK**

**DRAWING**



**640.XX0.00**

! For additional installation and mounting information, refer to the appropriate user guide at [www.werma.com](http://www.werma.com). This printed copy is for information only and is subject to alteration.