

KombiSIGN 71 / WIN

WIN receiver 5VDC BK



Part No.: 860.000.01



| MECHANICAL DATA | |
|-----------------------------|------------------|
| Length | 80 mm |
| Width | 76 mm |
| Height | 31 mm |
| Materials | ABS |
| Housing colour | Black |
| Protection category | IP20 |
| Connection | USB |
| Service life optical | 50,000 h maximum |
| Working temperature minimum | -20°C |
| Working temperature maximum | +50°C |
| Weight with packaging | 222 g |
| Product weight | 189 g |

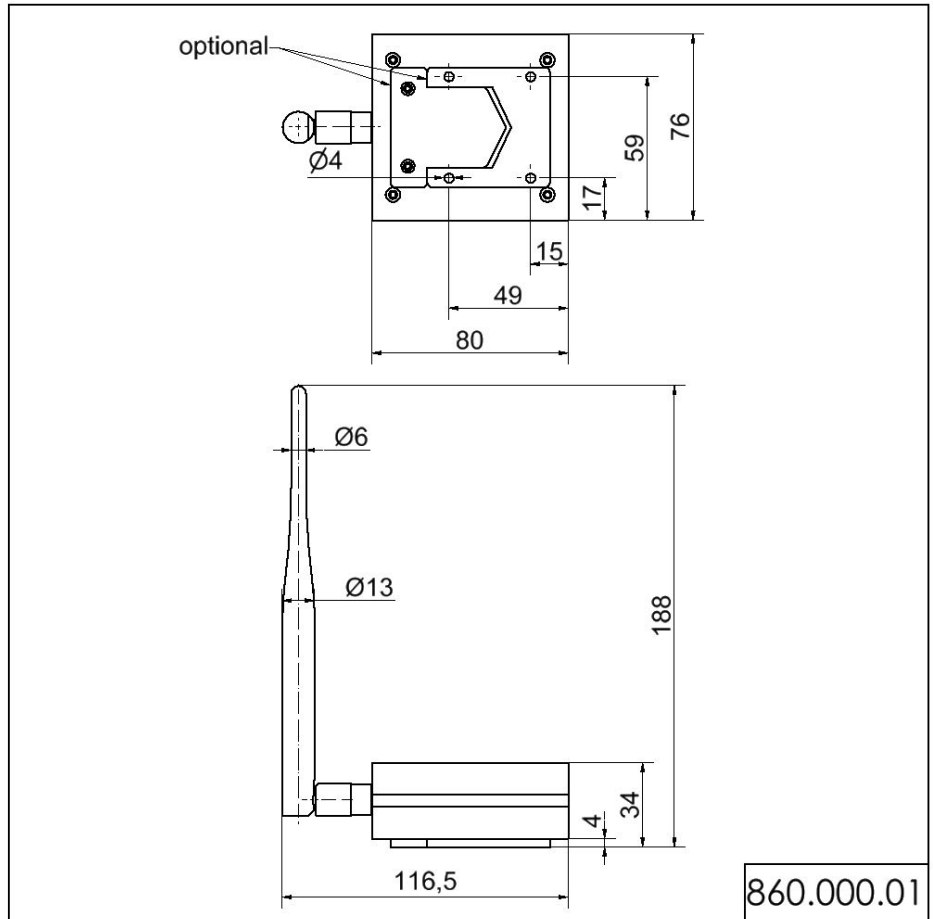
| ELECTRICAL DATA | |
|-----------------------------|--------------------|
| Operating voltage | 5V (USB) |
| Operating voltage type | DC |
| Operating voltage tolerance | +/- 0% |
| Rated operational voltage | 5 VDC |
| Rated inrush current | 100 mA |
| Protection class | Protection class 3 |
| Pollution degree | 2 |
| Request to external PSU | SELV/PELV |

! For additional installation and mounting information, refer to the appropriate user guide at www.werma.com. This printed copy is for information only and is subject to alteration.

KombiSIGN 71 / WIN

WIN receiver 5VDC BK

DRAWING



! For additional installation and mounting information, refer to the appropriate user guide at www.werma.com. This printed copy is for information only and is subject to alteration.