

Kompakt 71 / Kompakt 71 2-tier

Signal tower KS71 BWM 115VAC GN/RD



Part No.:	649.240.03
Series:	KombiSIGN 71

MECHANICAL DATA	
Height	270 mm
Diameter	70 mm
Materials	PA-GF PC
Dome colour	Green Red
Housing colour	Black
Protection category	IP65
Connection	Spring-type terminal
cross-sectional area maximum	1,50mm ² / 16AWG
Cable entry	Through hole
Cable entry maximum	d = 11 mm
Tension relief	Not present
Type of fixing	Base mounting Wall mounting
Service life optical	50,000 h minimum
Working temperature minimum	-20°C
Working temperature maximum	+50°C
Weight with packaging	227 g
Product weight	190 g

ELECTRICAL DATA	
Operating voltage	115V
Operating voltage type	AC
Operating voltage type	60Hz
Operating voltage tolerance	+/- 10%
Rated operational voltage	115 VAC
Protection class	Protection class 2
Pollution degree	3
Overvoltage category	II
Isolation voltage	Ui = 250V; Uimp = 2.500V

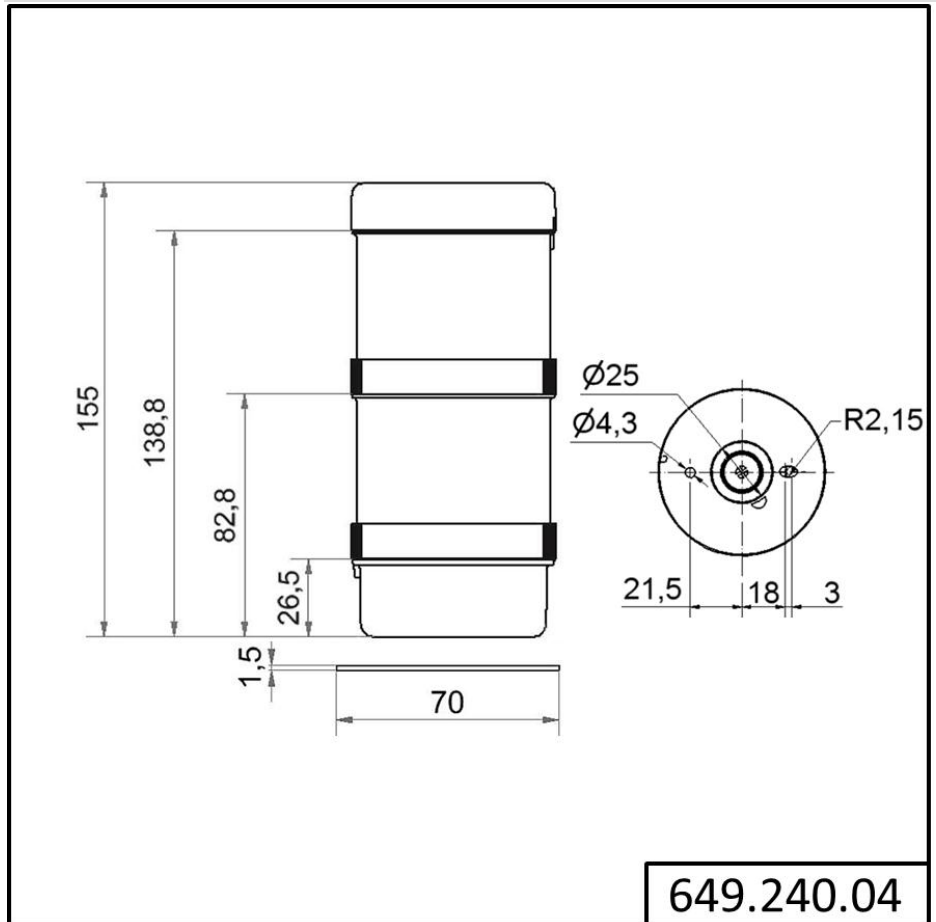
OPTICAL DATA	
Light source	LED
Light colour	Green Red
Optical signal image	Permanent

! For additional installation and mounting information, refer to the appropriate user guide at www.werma.com. This printed copy is for information only and is subject to alteration.

Kompakt 71 / Kompakt 71 2-tier

Signal tower KS71 BWM 115VAC GN/RD

DRAWING



649.240.04



For additional installation and mounting information, refer to the appropriate user guide at www.werma.com. This printed copy is for information only and is subject to alteration.