

KombiSIGN 71 / Audible Devices 645

Vocal element 24VDC BK



Part No.:	645.860.55
Series:	KombiSIGN 71



MECHANICAL DATA	
Height	118 mm
Diameter	125 mm
Materials	PC PC/ABS
Housing colour	Black
Protection category	IP65
Service life optical	5,000 h minimum
Working temperature minimum	-20°C
Working temperature maximum	+50°C
Weight with packaging	753 g
Product weight	668 g

ELECTRICAL DATA	
Operating voltage	24V
Operating voltage type	DC
Operating voltage tolerance	+/- 10%
Rated operational voltage	24 VDC
Rated operational current	400 mA
Rated inrush current	400 mA
Protection class	Protection class 2
Pollution degree	3

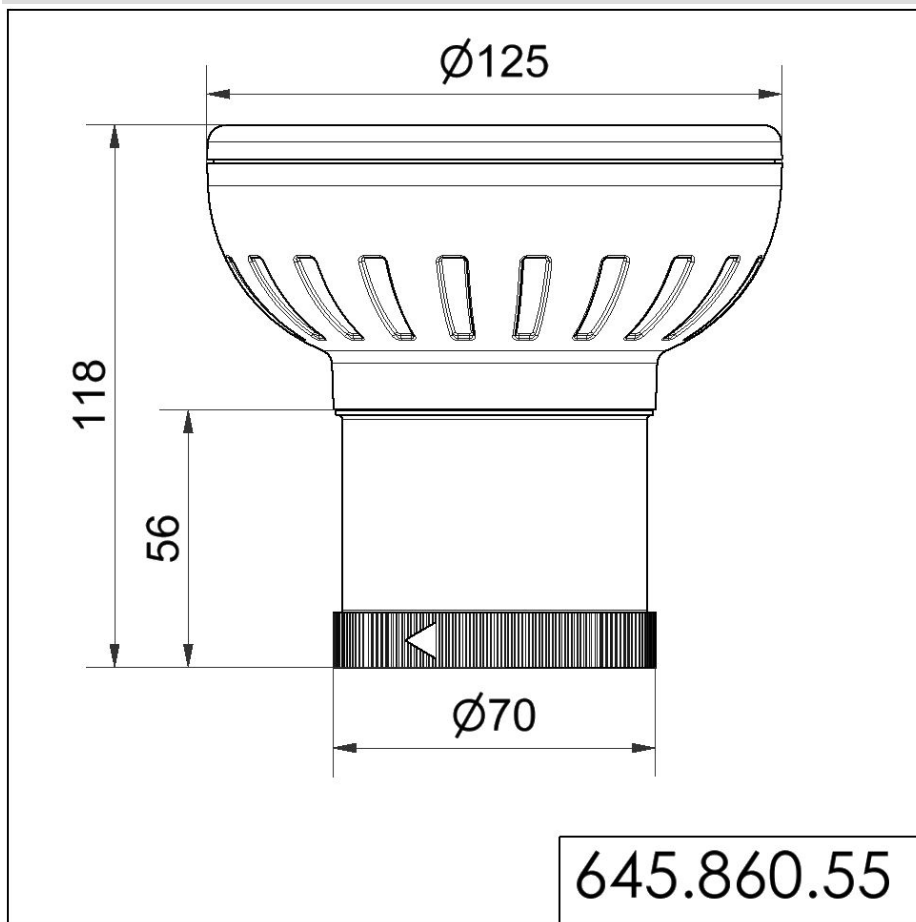
ACUSTICAL DATA	
Volume/dB(max) at 1m distance	102,0 dB dB(A)
Volume adjustable	Potentiometer
Volume adjustment range	15 - 100%

! For additional installation and mounting information, refer to the appropriate user guide at www.werma.com. This printed copy is for information only and is subject to alteration.

KombiSIGN 71 / Audible Devices 645

Vocal element 24VDC BK

DRAWING



For additional installation and mounting information, refer to the appropriate user guide at www.werma.com. This printed copy is for information only and is subject to alteration.