

Modular Signal Towers / KombiSIGN 72 KS72 Classic USB RM 5V GN/YE/RD



Part No.:	649.000.05
Series:	KombiSIGN 72

MECHANICAL DATA

Height	212 mm
Diameter	70 mm
Materials	PA-GF PC
Dome colour	Green Red Yellow
Housing colour	Black
Protection category	IP65
Connection	USB
Cable entry	Through hole
Cable entry maximum	d = 11 mm
Cable length	1800 mm
Tension relief	Not present
Type of fixing	Tube mounting
Service life optical	50,000 h minimum
Working temperature minimum	-20°C
Working temperature maximum	+50°C
Weight with packaging	385 g
Product weight	385 g

ELECTRICAL DATA

Operating voltage	5V (USB)
Operating voltage type	AC/DC
Operating voltage type	50Hz
Operating voltage tolerance	+/- 0%
Rated operational voltage	5 VDC
Rated operational current	500 mA
Protection class	Protection class 2
Pollution degree	3
Request to external PSU	SELV/PELV

OPTICAL DATA

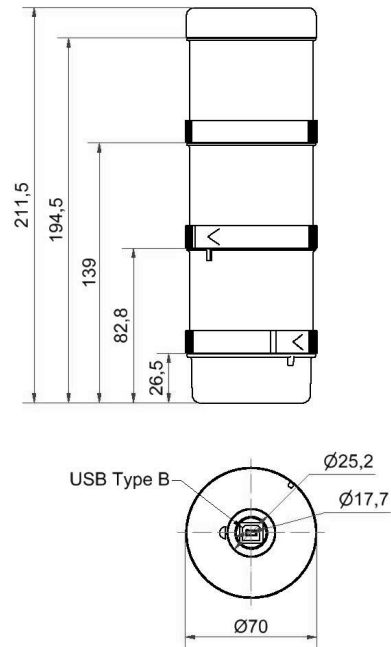
Light source	LED
Light colour	Green Red Yellow
Optical signal image	TwinLight
Flash output	0 J
Blink frequency (Hz)	1 Hz



For additional installation and mounting information, refer to the appropriate user guide at www.werma.com. This printed copy is for information only and is subject to alteration.

Modular Signal Towers / KombiSIGN 72 KS72 Classic USB RM 5V GN/YE/RD

DRAWING



For additional installation and mounting information, refer to the appropriate user guide at www.werma.com. This printed copy is for information only and is subject to alteration.