

EWCM 4120-4150-4180



Applications

The EWCM 4000 range, which consists of three different controllers, is the ideal solution for small and medium-sized compressor rooms, where ease of use, high control reliability and versatility are essential features for meeting all operational requirements in compressor room management.

Common features

4-digit LED display; front panel: IP65

Container: plastic casing, flame retardant grade UL94-V0

Dimensions: front panel 32x74mm, depth 70mm

Installation: panel mounting with 71x29mm hole

Operating temperature: -5...60°C

Storage temperature: -20...85°C

Ambient humidity for operation and storage: 10...90% RH (non-condensing)

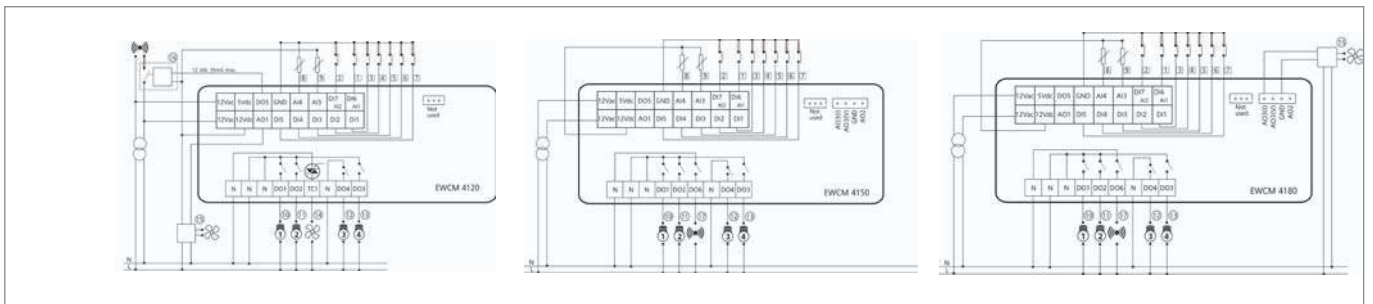
General features	EWCM 4120	EWCM 4150	EWCM 4180
Analogue inputs:	2 4...20mA / ratiometric 0...5V / 0...10V / NTC / D.I.*	2 4...20mA / ratiometric 0...5V / 0...10V / NTC / D.I.*	2 4...20mA / ratiometric 0...5V / 0...10V / NTC / D.I.*
Digital inputs:	7 SELV contacts	7 SELV contacts	7 SELV contacts
Analogue outputs:	• TRIAC • PWM - Open Collector -	• 2 PWM - Open Collector • 0...10V / 4...20mA / 0...20mA*	• 2 PWM - Open Collector • 0...10V / 4...20mA / 0...20mA*
Digital outputs:	4 SPST 2A 250V~ + Open Collector	5 SPST 2A 250V~ + Open Collector	5 SPST 2A 250V~ + Open Collector
Connections:	TTL port for connection to Copy Card and TelevisSystem via optional module	TTL port for connection to Copy Card and TelevisSystem via optional module	TTL port for connection to Copy Card and TelevisSystem via optional module
Clock:	present	present	present
Power consumption:	5VA max	5VA max	5VA max
Power supply:	12Va ±10% 50/60Hz	12Va ±10% 50/60Hz	12Va ±10% 50/60Hz

*(selectable by parameter)

Kits

Code	Description	Details
EM6A12001EL16	EWCM 4120/C KIT	1 x EM6A12001EL11 - EWCM 4120/C with wires 1 x TF411200 - transformer 230/12 5VA shielded 1 x TD400030 - EWPA 030 R 0/5V 0/30BAR Ratiometric transd. 1 x TD400010 - EWPA 010 R 0/5V 0/10BAR Ratiometric transd. 2 x CO000027 - WIR. EWPA 1m R 0/5V Wir. for ratiometric transd.
EM6A22101EL16	EWCM 4180/C KIT	1 x EM6A22101EL11 - EWCM 4180/C with wires 1 x TF411200 - transformer 230/12 5VA shielded 1 x TD400030 - EWPA 030 R 0/5V 0/30BAR Ratiometric transd. 1 x TD400010 - EWPA 010 R 0/5V 0/10BAR Ratiometric transd. 2 x CO000027 - WIR. EWPA 1m R 0/5V Wir. for ratiometric transd.

Wiring diagrams



Codes

p/n	descr.	Power supply	p/n	descr.	Power supply
EM6A12001EL10	EWCM 4120 /C	12V~	EM6A22101EL10	EWCM 4180 /C	12V~
EM6A12001EL11	EWCM 4120 /C with wires	12V~	EM6A22101EL11	EWCM 4180 /C with wires	12V~
EM6A22105EL10	EWCM 4150 /C	12V~			
EM6A22105EL11	EWCM 4150 /C with wires	12V~			