

Mini / MC55

MC55 Touch S 24VDC Acoustic



Part No.:	240.170.55
Series:	MC55



MECHANICAL DATA

Height	79 mm
Diameter	55 mm
Materials	PC
Dome colour	Tranlucent
Housing colour	Black
Protection category	IP65 IP69K
Connection	M12 plug 5-pole
Type of fixing	Built-in mounting
Working temperature minimum	-20°C
Working temperature maximum	+50°C
Weight with packaging	98 g
Product weight	69 g

ELECTRICAL DATA

Operating voltage	24V
Operating voltage type	DC
Operating voltage tolerance	+/- 10%
Rated operational voltage	24 VDC
Rated operational current	75 mA
Continuous output current	max. 200mA
Protection class	Protection class 3
Pollution degree	3 In the connection area: 2
Overvoltage category	I

OPTICAL DATA

Light source	LED
Light colour	MC 7 colours
Optical signal image	Permanent
Service life optical	50,000 h maximum

ACOUSTIC DATA

Volume (max) at 1m distance	85
Acoustic signal image	Continuous tone
Audio frequency	3480 Hz
Acoustic service life	5,000 h minimum

APPROVAL DATA

Conforms with CE	Yes
------------------	-----



For additional installation and mounting information, refer to the appropriate user guide at www.werma.com. This printed copy is for information only and is subject to alteration.

Mini / MC55

MC55 Touch S 24VDC Acoustic

Conforms with RoHS directive	Yes
WEEE	Yes
Conforms with UL	cULus
UL Type Rating	Type 4X
Conforms with RoHS CN	10 years

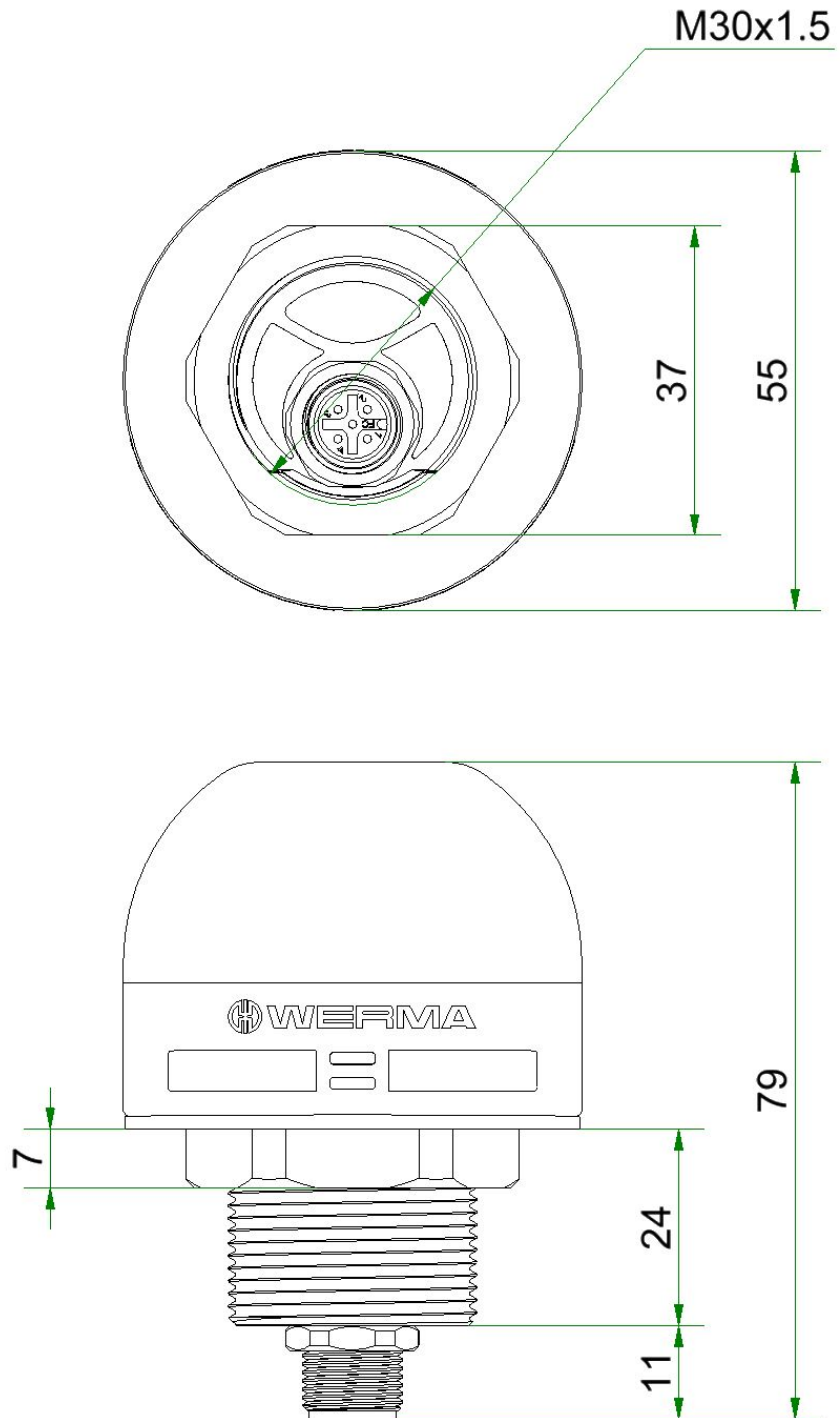


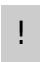
For additional installation and mounting information, refer to the appropriate user guide at www.werma.com. This printed copy is for information only and is subject to alteration.

Mini / MC55

MC55 Touch S 24VDC Acoustic

DRAWING



 For additional installation and mounting information, refer to the appropriate user guide at www.werma.com. This printed copy is for information only and is subject to alteration.