

AndonWIRELESS / Andon product

## AndonWirelessBOX 2-Button 868 MHz



Part No.: 860.000.16



MECHANICAL DATA	
Length	103 mm
Width	66 mm
Height	35 mm
Materials	PC PC/ABS
Housing colour	Black Grey
Protection category	IP30
Type of fixing	Base mounting Wall mounting
Working temperature minimum	0°C
Working temperature maximum	+40°C
Weight with packaging	435 g
Product weight	283 g

ELECTRICAL DATA	
Operating voltage	115-230V
Operating voltage type	AC
Operating voltage frequency	50Hz at 230V 60Hz at 115V
Operating voltage tolerance	+/- 10%
Rated operational voltage	230 VAC
Rated operational current	500 mA
Protection class	Protection class 2
Pollution degree	2
Overvoltage category	II
Isolation voltage	Ui = 250V; Uimp = 2.500V
Radio range max.	300 m
Radio transmission power	10 dBm at 50 Ohm
Radio frequency min/max	868.000 MHz 868.600 MHz
Radio channels	6
connectivity	USB

APPROVAL DATA	
Conforms with CE	Yes
WEEE	Yes
Conforms with RED directive	Yes
Conforms with CCC	No
Conforms with UL	No



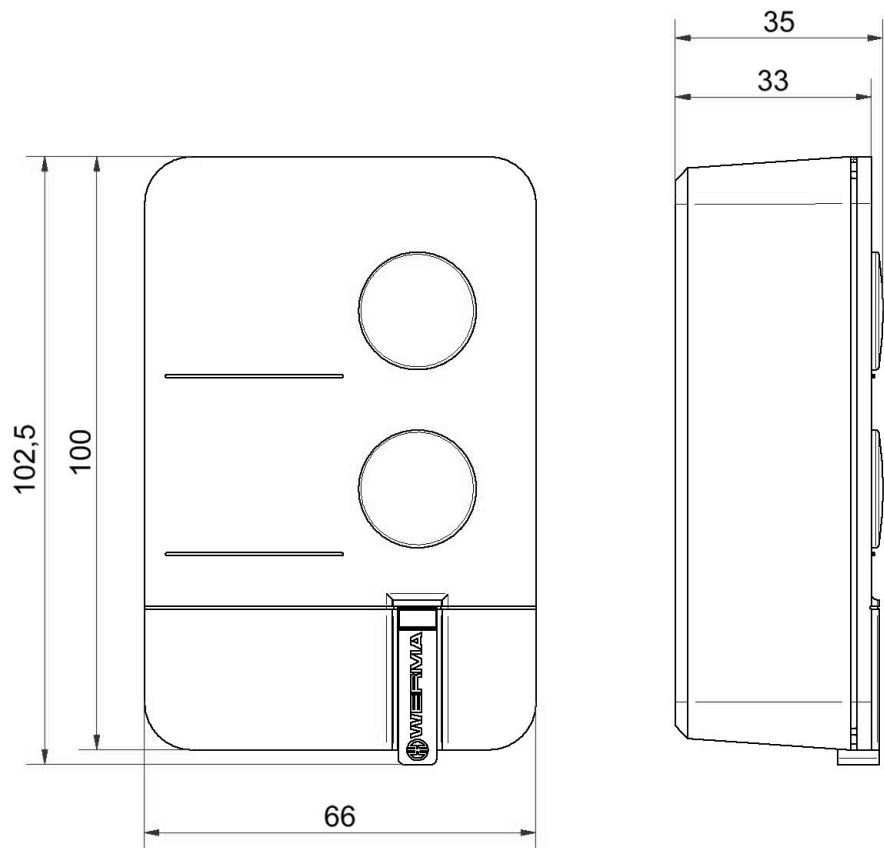
For additional installation and mounting information, refer to the appropriate user guide at [www.werma.com](http://www.werma.com). This printed copy is for information only and is subject to alteration.

AndonWIRELESS / Andon product

**AndonWirelessBOX 2-Button 868 MHz**

Conforms with FCC	No
Conforms with IC	No
EAC certificate available	No
Conforms with UKCA (Importer)	Yes (WERMA (UK) Ltd.)
Conforms with AS-I	No
Conforms with DNV	No
Conforms with RoHS CN	10 years
Conforms with VdS	No

**DRAWING**



For additional installation and mounting information, refer to the appropriate user guide at [www.werma.com](http://www.werma.com). This printed copy is for information only and is subject to alteration.