

## Electronic Audible Signal Devices / Electronic Buzzers Installation 107

**Installation Buzzer Pulse 115-230VAC**

Part No.: 107.010.60

**MECHANICAL DATA**

Height	61 mm
Diameter	28 mm
Materials	PA-GF
Housing colour	Black
Protection category	IP65
Connection	Screw terminals
cross-sectional area maximum	1,50mm <sup>2</sup> / 16AWG
Type of fixing	Built-in mounting
Working temperature minimum	-20°C
Working temperature maximum	+50°C
Weight with packaging	32 g
Product weight	20 g

**ELECTRICAL DATA**

Operating voltage	115-230V
Operating voltage type	AC
Operating voltage frequency	50Hz at 230V
Operating voltage tolerance	+/- 10%
Rated operational voltage	230 VAC
Rated operational current	12 mA
Rated inrush current	360 mA
Protection class	Protection class 2
Pollution degree	3 In the connection area: 2
Isolation voltage	Ui = 250V; Uimp = 2.500V

**ACUSTICAL DATA**

Volume (max) at 1m distance	60,0 dB (A)
Volume (max) at 10cm distance	80,0 dB (A)
Acoustic signal image	Pulse tone
Number of tones	1 tone
Audio frequency	2400 Hz
Acoustic service life	5,000 h minimum

**APPROVAL DATA**

Conforms with CE	Yes
WEEE	Yes
Conforms with RED directive	No
Conforms with ATEX-directive	No

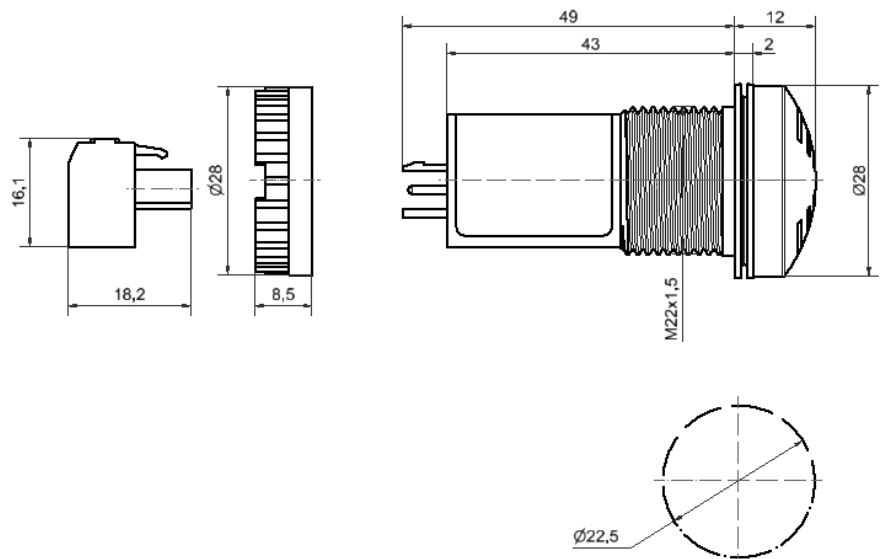


For additional installation and mounting information, refer to the appropriate user guide at [www.werma.com](http://www.werma.com). This printed copy is for information only and is subject to alteration.

Electronic Audible Signal Devices / Electronic Buzzers Installation 107  
**Installation Buzzer Pulse 115-230VAC**

Conforms with CCC	No
Conforms with UL	cULus
UL Type Rating	Type 4X
Conforms with FCC	No
Conforms with IC	No
EAC certificate available	Yes
Conforms with UKCA (Importer)	Yes (WERMA (UK) Ltd.)
Conforms with AS-I	No
Conforms with DNV	No
Conforms with RoHS CN	No
Conforms with VdS	No
MTTF-value [years]	2493

**DRAWING**



! For additional installation and mounting information, refer to the appropriate user guide at [www.werma.com](http://www.werma.com). This printed copy is for information only and is subject to alteration.