

Permanent Light 826 / Accessories
Bracket BK



Part No.: 975.826.05

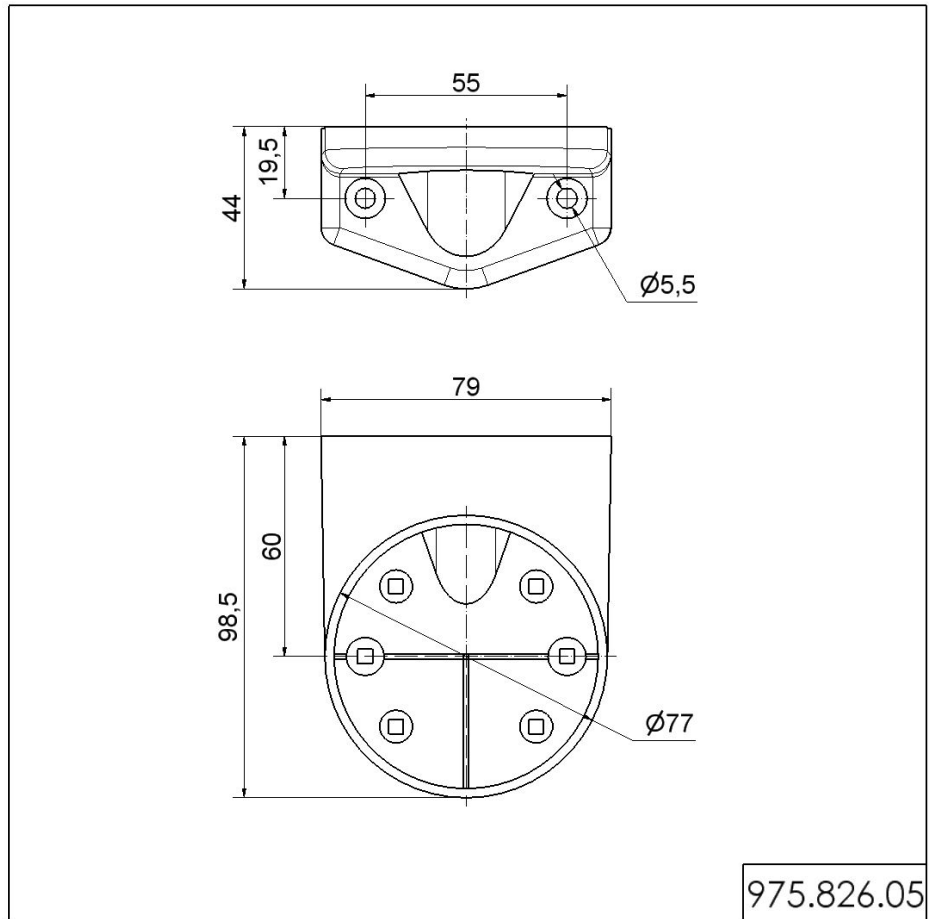
MECHANICAL DATA	
Length	99 mm
Width	79 mm
Height	44 mm
Materials	PC/ABS
Housing colour	Black
Weight with packaging	62 g
Product weight	62 g

APPROVAL DATA	
Conforms with CE	No
WEEE	No
Conforms with ATEX-directive	No
Conforms with CCC	No
Conforms with UL	No
Conforms with FCC	No
Conforms with IC	No
EAC certificate available	No
Conforms with UKCA (Importer)	No
Conforms with AS-I	No
ICAO Certification	No
Conforms with DNV	No
Conforms with RoHS CN	No

! For additional installation and mounting information, refer to the appropriate user guide at www.werma.com. This printed copy is for information only and is subject to alteration.

Permanent Light 826 / Accessories
Bracket BK

DRAWING



975.826.05



For additional installation and mounting information, refer to the appropriate user guide at www.werma.com. This printed copy is for information only and is subject to alteration.