

Permanent Light 800 / Accessories
Anti-twist device SR



Part No.: 975.815.22

MECHANICAL DATA	
Height	2 mm
Diameter	50 mm
Materials	Stainless steel
Housing colour	Silver
Weight with packaging	10 g
Product weight	5 g

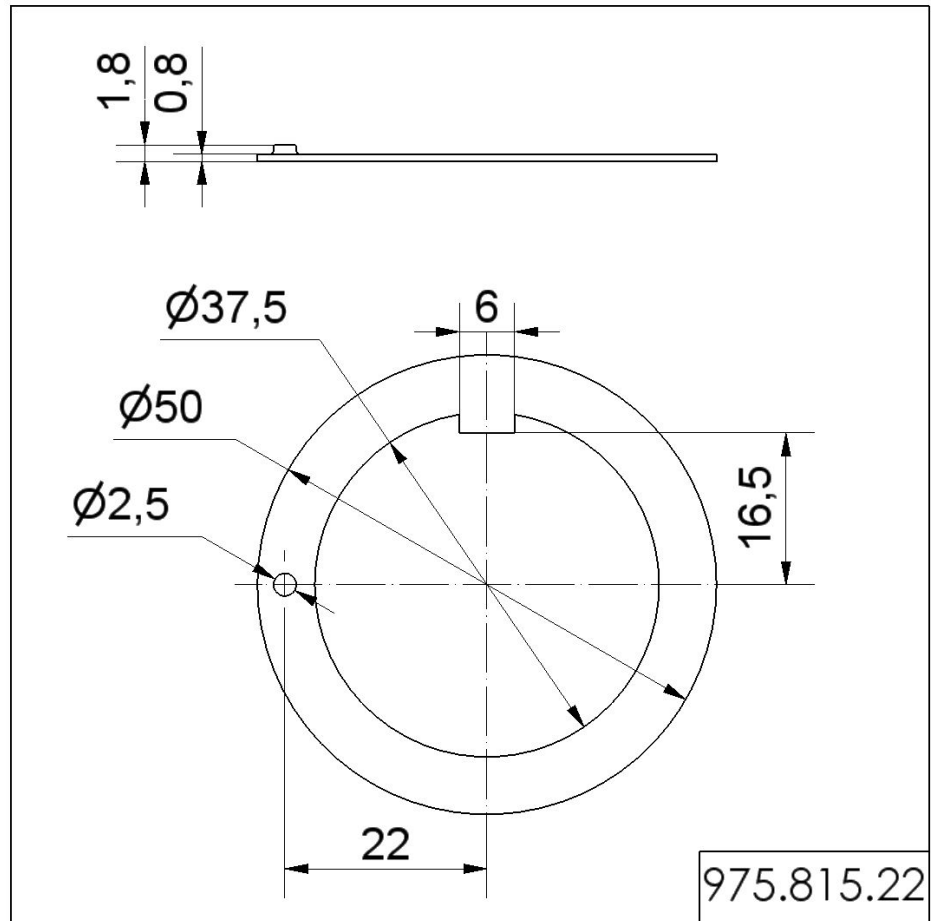
APPROVAL DATA	
Conforms with CE	No
WEEE	No
Conforms with ATEX-directive	No
Conforms with CCC	No
Conforms with UL	No
Conforms with FCC	No
Conforms with IC	No
EAC certificate available	No
Conforms with UKCA (Importer)	No
Conforms with AS-I	No
ICAO Certification	No
Conforms with DNV	No
Conforms with RoHS CN	No

! For additional installation and mounting information, refer to the appropriate user guide at www.werma.com. This printed copy is for information only and is subject to alteration.

Permanent Light 800 / Accessories

Anti-twist device SR

DRAWING



For additional installation and mounting information, refer to the appropriate user guide at www.werma.com. This printed copy is for information only and is subject to alteration.