

Permanent Light 800 / Accessories

**Base for surface mounting BK****Part No.:** 975.812.02**MECHANICAL DATA**

Height	34 mm
Diameter	70 mm
Materials	PA-GF
Housing colour	Black
Weight with packaging	35 g
Product weight	35 g

**APPROVAL DATA**

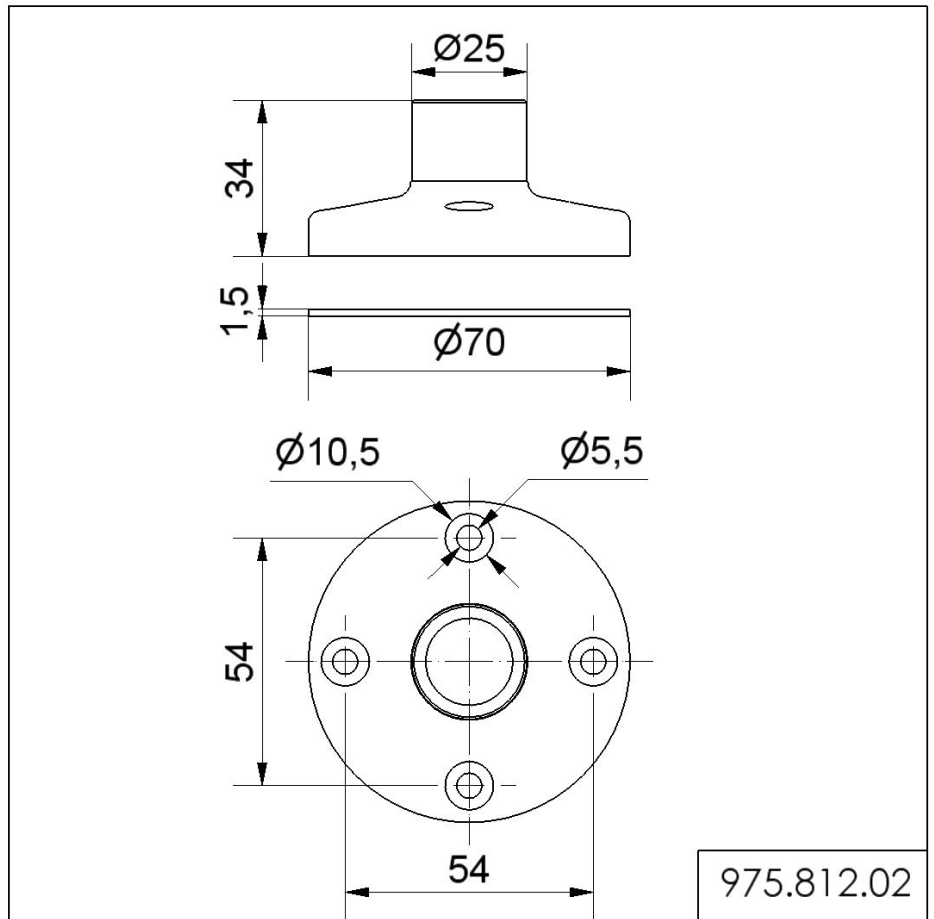
Conforms with CE	No
WEEE	No
Conforms with ATEX-directive	No
Conforms with CCC	No
Conforms with UL	No
Conforms with FCC	No
Conforms with IC	No
EAC certificate available	No
Conforms with UKCA (Importer)	No
Conforms with AS-I	No
ICAO Certification	No
Conforms with DNV	No
Conforms with RoHS CN	No



For additional installation and mounting information, refer to the appropriate user guide at [www.werma.com](http://www.werma.com). This printed copy is for information only and is subject to alteration.

Permanent Light 800 / Accessories  
**Base for surface mounting BK**

**DRAWING**



**!** For additional installation and mounting information, refer to the appropriate user guide at [www.werma.com](http://www.werma.com). This printed copy is for information only and is subject to alteration.