

KombiSIGN 50 / LED Bulb  
**LED Bulb 230VAC CL**



**Part No.:** 956.400.68

#### MECHANICAL DATA

|                       |             |
|-----------------------|-------------|
| Height                | 41 mm       |
| Diameter              | 29 mm       |
| Materials             | PA-GF<br>PC |
| Housing colour        | Black       |
| Weight with packaging | 14 g        |
| Product weight        | 10 g        |

#### ELECTRICAL DATA

|                             |         |
|-----------------------------|---------|
| Operating voltage           | 230V    |
| Operating voltage type      | AC      |
| Operating voltage frequency | 50Hz    |
| Operating voltage tolerance | +/- 10% |
| Rated operational voltage   | 230 VAC |
| Rated operational current   | 15 mA   |
| Rated inrush current        | 500 mA  |

#### OPTICAL DATA

|                      |                  |
|----------------------|------------------|
| Light source         | LED              |
| Light colour         | White            |
| Optical signal image | Permanent        |
| Service life optical | 50,000 h maximum |
| Lamp fitting/socket  | BA15d            |

#### APPROVAL DATA

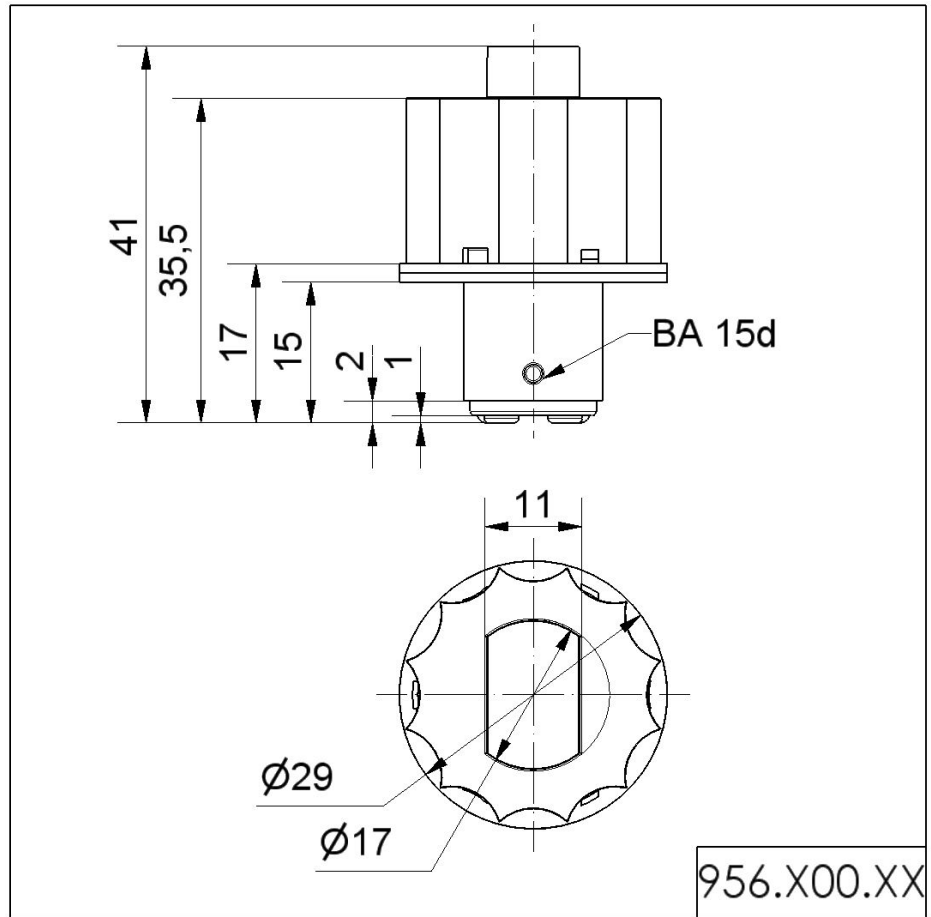
|                              |     |
|------------------------------|-----|
| WEEE                         | Yes |
| Conforms with ATEX-directive | No  |
| Conforms with CCC            | No  |
| Conforms with FCC            | No  |
| Conforms with IC             | No  |
| EAC certificate available    | No  |
| Conforms with AS-I           | No  |
| ICAO Certification           | No  |
| Conforms with DNV            | No  |
| Conforms with RoHS CN        | No  |



For additional installation and mounting information, refer to the appropriate user guide at [www.werma.com](http://www.werma.com). This printed copy is for information only and is subject to alteration.

KombiSIGN 50 / LED Bulb  
**LED Bulb 230VAC CL**

**DRAWING**



For additional installation and mounting information, refer to the appropriate user guide at [www.werma.com](http://www.werma.com). This printed copy is for information only and is subject to alteration.