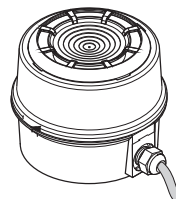
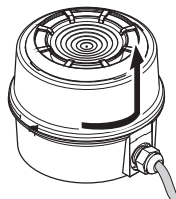
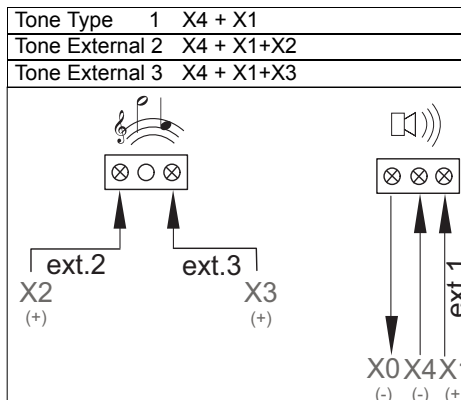


- Ⓓ Anschluss **ausschließlich** durch ausgebildete Elektro-Fachkräfte.
- ⒼⒸ Electrical connection is to be made by trained electrical specialists **only**.
- Ⓕ Le branchement doit **uniquement** être effectué par des professionnels.
- Ⓘ Il collegamento deve essere eseguito **solo** da elettricisti specializzati.
- Ⓔ La conexión **sólo** debe ser realizada por electricistas debidamente formados.
- Ⓐ A ligação deve ser feita **exclusivamente** por profissional elétrico especializado.
- Ⓝ De aansluiting mag **enkel** gebeuren door erkende vakmensen.
- ⒸⒶ Připojení smí **provádět** pouze kvalifikovaný personál.
- ⒲ Podłączenie **wyłącznie** przez specjalistów-elektryków.
- Ⓕ Liittäminen kuuluu **ainoastaan** koulutettujen sähköalan ammattilaisten tehtäviin.
- Ⓜ Подключение проводов только специа-листом-электриком.
- Ⓓ Bağlantı **sadece** eğitimli elektrik teknisyenleri tarafından yapılmalıdır.
- ⒸⓃ 布线需由专业电工执行



190 000 55	24 V~, I ≤ 180 mA, I ₀ ≤ 500 mA
190 000 67	115 V~, I ≤ 55 mA, I ₀ ≤ 55 mA
190 000 68	230 V~, I ≤ 30 mA, I ₀ ≤ 30 mA



		Tone Type 1		Tone Ext. 2	Tone Ext. 3	
		Pulse	Einsatz Use Utilisation (Hz)	(Hz)	(Hz)	
1	00000	Dauerton, continuous, continu	BS 5839-1:2002, VDS	200	440Hz cont.	554Hz cont.
2	00001	ansteigend, rising, montant		800 - 970	Tone 14	800Hz cont.
3	00010	ansteigend, rising, montant		800 - 970	Tone 14	800Hz cont.
4	00011	Dauerton, continuous, continu		2850	Tone 9	Tone 9
5	00100	ansteigend, rising, montant	VDS	2400 - 2850	Tone 4	2.4 kHz cont.
6	00101	ansteigend, rising, montant		2400 - 2850	Tone 4	2.4 kHz cont.
7	00110	ansteigend, rising, montant	3s On, 0.5s OFF (500 - 1200	Tone 14	Tone 8
8	00111	abfallend, falling, incliné	VDS	1200 - 500	Tone 14	Tone 7
9	01000	alternierend, alternating, alternant		2400 - 2850	Tone 4	2.4 kHz cont.
10	01001	pulsierend, pulse, pulsant	BS 5839 Teil 1 1988	970	Tone 14	800Hz cont.
11	01010	alternierend, alternating, alternant	BS 5839 Teil 1 1988	800 - 970	Tone 14	800Hz cont.
12	01011	pulsierend, pulse, pulsant		2850	Tone 4	22
13	01100	pulsierend, pulse, pulsant		970	Tone 14	800Hz cont.
14	01101	Dauerton, Continuous, Continu	BS 5839-1:2002 PFEER - Toxic gas	970	Tone 10	Tone 8
15	01110	alternierend, alternating, alternant	France NFS	554 - 440	Tone 14	800Hz cont.

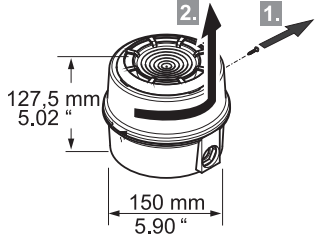
16	01111	pulsierend, pulse, pulsant	150ms On 150ms Off	Swedish	660	Tone 16	Tone 14
17	10000	pulsierend, pulse, pulsant	1.8s On/ 1.8s Off	Swedish	660	Tone 17	Tone 14
18	10001	pulsierend, pulse, pulsant	6.5s On/ 13s Off	Swedish	660	Tone 18	Tone 14
19	10010	Dauerton, continuous, continu		Swedish	660	Tone 19	Tone 31
20	10011	alternierend, alternating, alternant	0.5Hz		554-440	Tone 20	Tone 19
21	10100	pulsierend, pulse, pulsant	1Hz	Swedish	660	Tone 21	Tone 4
22	10101	pulsierend, pulse, pulsant	150ms On 100ms Off	GB	2850	Tone 14	Tone 4
23	10110	ansteigend, rising, montant	50Hz (niedrig, low, faible)	BS 5839 Teil 1 1988	800-970	Tone 14	800Hz cont.
24	10111	ansteigend, rising, montant	50Hz (hoch, high, fréquence élevée)		2400-2850	Tone 4	2.4 kHz cont.
25	11000	pulsierend, pulse, pulsant	3x500ms ON 500ms OFF 1.5s break	ISO 8201/ US Temporal	970	Tone 26	Tone 14
26	11001	pulsierend, pulse, pulsant	3x500ms ON 500ms OFF 1.5s break	ISO 8201/ US Temporal	2850	Tone 25	Tone 4
27	11010	Dauerton, continuous, continu			4000	Tone 27	Tone 6
28	11011	ansteigend, rising, montant	7Hz		2000 to 2850	2000Hz cont.	Tone 4
29	11100	alternierend, alternating, alternant	2Hz		988 & 645	988Hz cont.	645Hz cont.
30	11101	alternierend, alternating, alternant	2Hz		510 & 610	510Hz cont.	610Hz cont.
31	11110	alternierend, alternating, alternant	2Hz	5839-1:2002	800 & 970	800 cont.	Tone 14
32	11111	alternierend, alternating, alternant	1Hz		800 & 1200	800 cont.	1.2 kHz cont.



⚠ DANGER

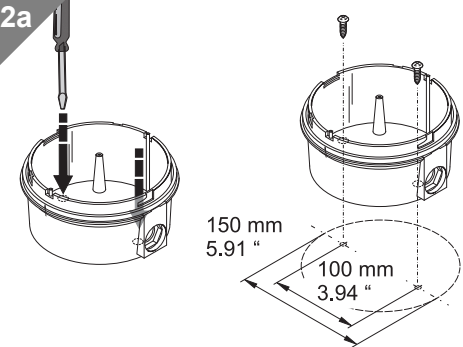


1



2

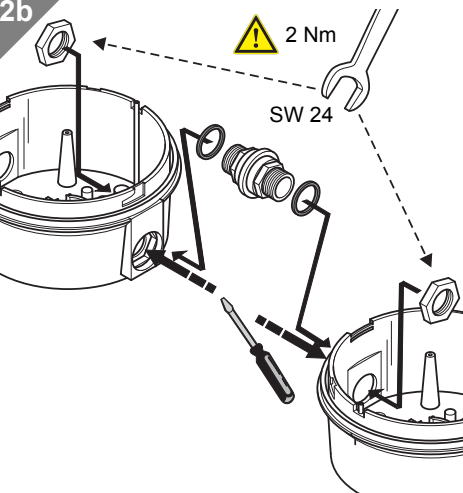
2a - 190
2b - 975 890 25



2b

⚠ 2 Nm

SW 24



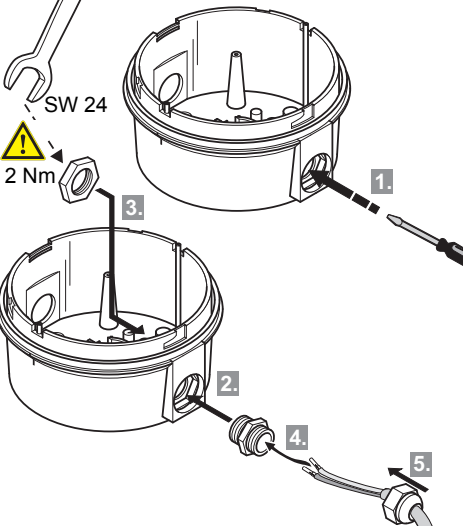
3

Ø 5 - 8 mm
0.2" - 0.32"

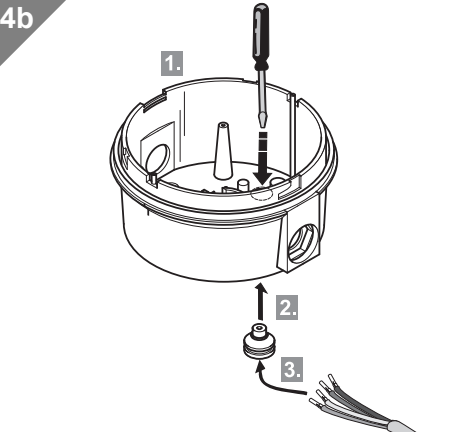
7 mm
0.28"
≤ 1,5 mm²
AWG 18 - 14

4

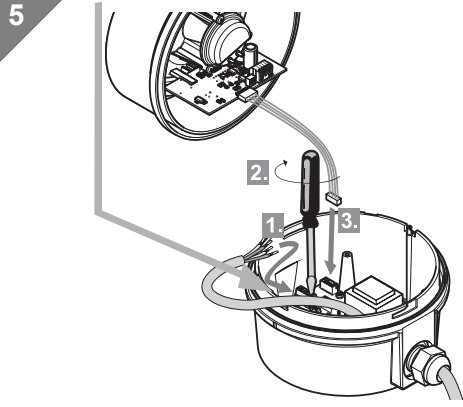
4a - 190
4b - 190



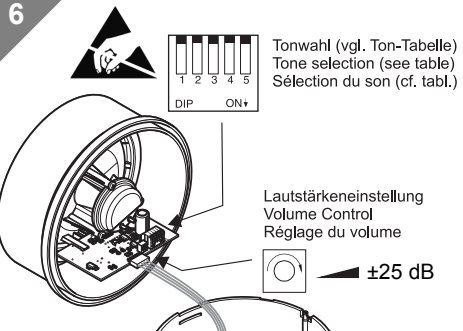
4b



5



6



7

