

Heavy-Duty / Flash/Multi-Tone Sounder 439

Flash/Sounder WM 32 tne 115-230VAC GY/YE

Part No.: 439.130.68

**MECHANICAL DATA**

Length	138 mm
Width	136 mm
Height	119 mm
Materials	ABS PC
Dome colour	Yellow
Housing colour	Grey
Protection category	IP66
Connection	Screw terminals
cross-sectional area minimum	0,25mm ² / 24AWG
cross-sectional area maximum	1,50mm ² / 16AWG
Cable entry	Screwed cable gland
Cable entry minimum	d = 8 mm
Cable entry maximum	d = 12 mm
Tension relief	Present (conforms to VDI)
Type of fixing	Wall mounting
Service life optical	50,000 h maximum
Acoustic service life	5,000 h minimum
Working temperature minimum	-25°C
Working temperature maximum	+70°C
Weight with packaging	500 g
Product weight	430 g

ELECTRICAL DATA

Operating voltage	115-230V
Operating voltage type	AC
Operating voltage type	50Hz at 230V 60Hz at 115V
Operating voltage tolerance	+/- 10%
Rated operational voltage	230 VAC
Rated operational current	30 mA
Protection class	Protection class 2
Pollution degree	3
Overvoltage category	II
Isolation voltage	Ui = 250V; Uimp = 2.500V

OPTICAL DATA

Light source	Xenon
Light colour	Yellow



For additional installation and mounting information, refer to the appropriate user guide at www.werma.com. This printed copy is for information only and is subject to alteration.

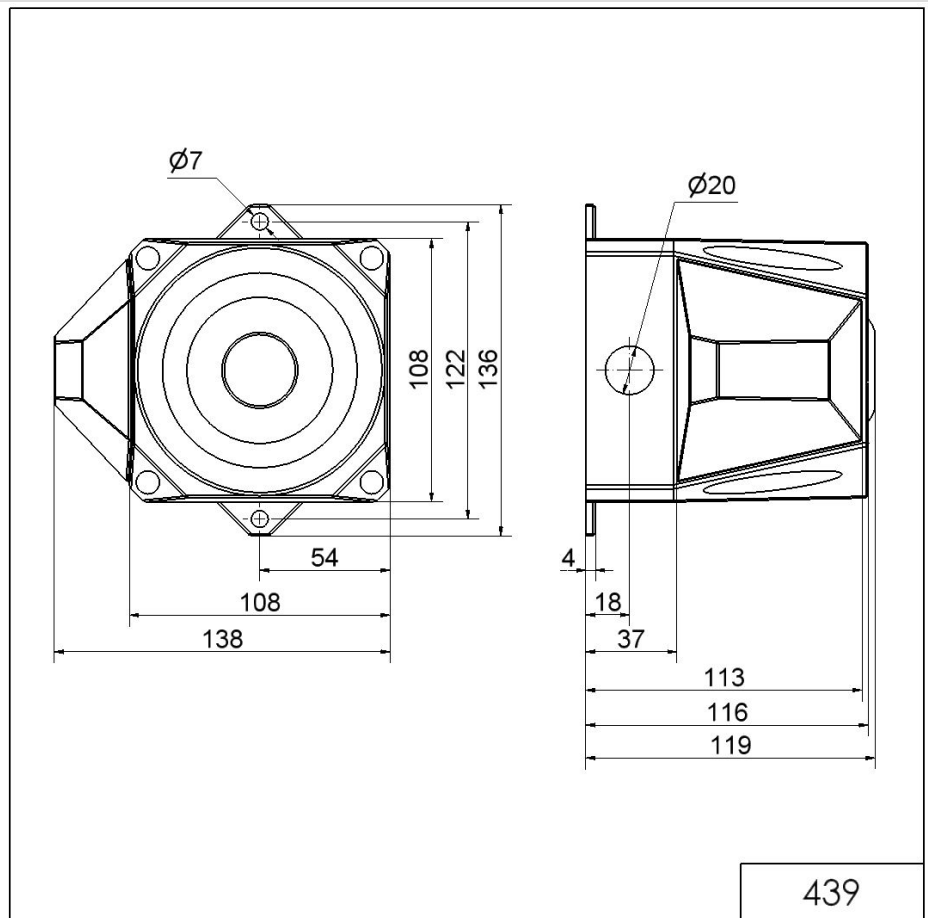
Heavy-Duty / Flash/Multi-Tone Sounder 439

Flash/Sounder WM 32 tne 115-230VAC GY/YE

Optical signal image	Flash
Flash frequency	1 Hz
Flash output	2 J

ACUSTICAL DATA	
Volume/dB(max) at 1m distance	105,0 dB dB(A)
Acoustic signal image	Multi-tone
Number of tones	32 tone

DRAWING



! For additional installation and mounting information, refer to the appropriate user guide at www.werma.com. This printed copy is for information only and is subject to alteration.