

LED Horn WM Contin. tone 10-48VAC/DC YE



Part No.: 435.310.70

**MECHANICAL DATA**

Length	144 mm
Width	134 mm
Height	407 mm
Diameter	134 mm
Materials	PC PC/ABS
Dome colour	Yellow
Housing colour	Grey
Protection category	IP65
Connection	Screw terminals
cross-sectional area maximum	1,50mm ² / 16AWG
Cable entry	Membrane grommet
Cable entry minimum	d = 1 mm
Cable entry maximum	d = 13 mm
Tension relief	Present (conforms to VDI)
Type of fixing	Wall mounting
Service life optical	50,000 h maximum
Acoustic service life	5,000 h minimum
Working temperature minimum	-30°C
Working temperature maximum	+50°C
UL Type Rating	Type 12
Weight with packaging	728 g
Product weight	609 g

ELECTRICAL DATA

Operating voltage	10-48V
Operating voltage type	AC/DC
Operating voltage type	50Hz
Operating voltage tolerance	+/- 0%
Rated operational voltage	24 VDC
Rated operational current	710 mA
Rated inrush current	650 mA
Protection class	Protection class 2
Pollution degree	3

OPTICAL DATA

Light source	LED
Light colour	Yellow
Optical signal image	Revolving

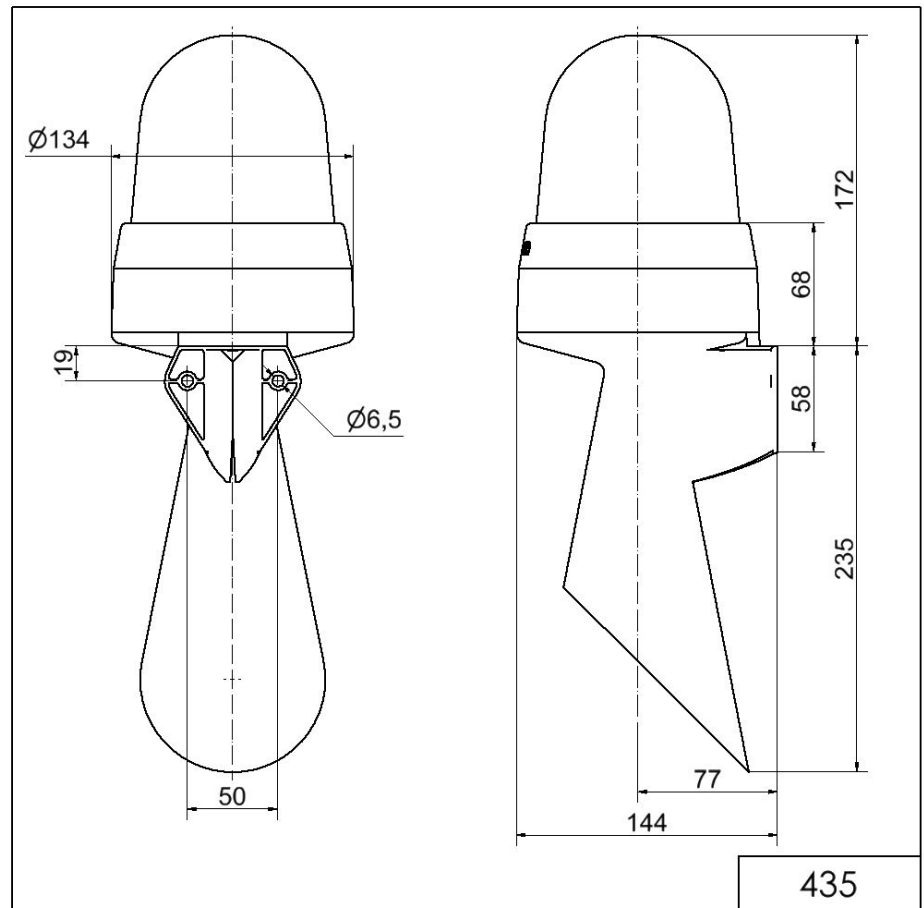


For additional installation and mounting information, refer to the appropriate user guide at www.werma.com. This printed copy is for information only and is subject to alteration.

LED Horn WM Contin. tone 10-48VAC/DC YE

ACUSTICAL DATA	
Volume/dB(max) at 1m distance	108,0 dB dB(A)
Acoustic signal image	Continuous tone
Audio frequency	110 Hz

DRAWING



For additional installation and mounting information, refer to the appropriate user guide at www.werma.com. This printed copy is for information only and is subject to alteration.