

## LED Horn WM Contin. tone 115-230VAC RD



Part No.: 435.110.60

**MECHANICAL DATA**

Length	144 mm
Width	134 mm
Height	407 mm
Diameter	134 mm
Materials	PC PC/ABS
Dome colour	Red
Housing colour	Grey
Protection category	IP65
Connection	Screw terminals
cross-sectional area maximum	1,50mm <sup>2</sup> / 16AWG
Cable entry	Membrane grommet
Cable entry minimum	d = 1 mm
Cable entry maximum	d = 13 mm
Tension relief	Present (conforms to VDI)
Type of fixing	Wall mounting
Service life optical	50,000 h maximum
Acoustic service life	5,000 h minimum
Working temperature minimum	-30°C
Working temperature maximum	+50°C
UL Type Rating	Type 12
Weight with packaging	762 g
Product weight	640 g

**ELECTRICAL DATA**

Operating voltage	115-230V
Operating voltage type	AC
Operating voltage type	50Hz at 230V 60Hz at 115V
Operating voltage tolerance	+/- 10%
Rated operational voltage	230 VAC
Rated operational current	75 mA
Rated inrush current	650 mA
Protection class	Protection class 2
Pollution degree	3
Overvoltage category	II
Isolation voltage	Ui = 250V; Uimp = 2.500V

**OPTICAL DATA**

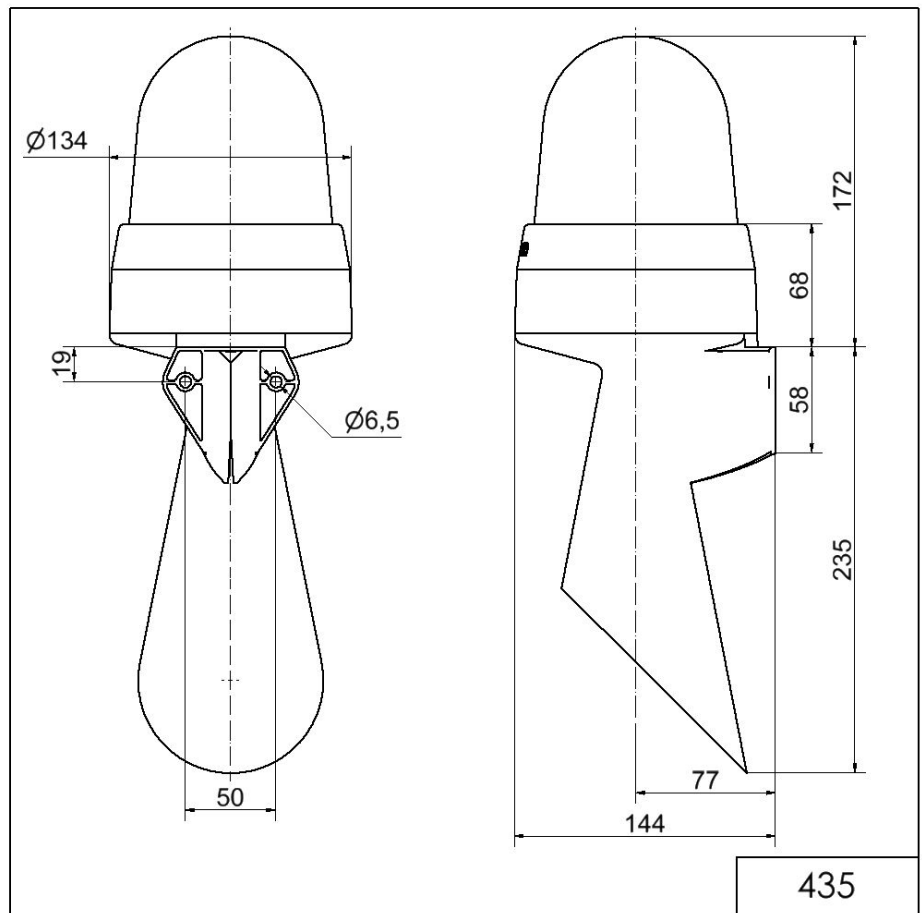
For additional installation and mounting information, refer to the appropriate user guide at [www.werma.com](http://www.werma.com). This printed copy is for information only and is subject to alteration.

**LED Horn WM Contin. tone 115-230VAC RD**

Light source	LED
Light colour	Red
Optical signal image	Revolving

ACUSTICAL DATA	
Volume/dB(max) at 1m distance	108,0 dB dB(A)
Acoustic signal image	Continuous tone
Audio frequency	110 Hz

**DRAWING**



For additional installation and mounting information, refer to the appropriate user guide at [www.werma.com](http://www.werma.com). This printed copy is for information only and is subject to alteration.