

LED Horn WM Contin. tone 24VAC/DC BU



Part No.: 434.500.75

**MECHANICAL DATA**

| | |
|------------------------------|-----------------------------|
| Length | 144 mm |
| Width | 134 mm |
| Height | 407 mm |
| Diameter | 134 mm |
| Materials | PC PC/ABS |
| Dome colour | Blue |
| Housing colour | Grey |
| Protection category | IP65 |
| Connection | Screw terminals |
| cross-sectional area maximum | 1,50mm ² / 16AWG |
| Cable entry | Membrane grommet |
| Cable entry minimum | d = 1 mm |
| Cable entry maximum | d = 13 mm |
| Tension relief | Present (conforms to VDI) |
| Type of fixing | Wall mounting |
| Service life optical | 50,000 h maximum |
| Acoustic service life | 5,000 h minimum |
| Working temperature minimum | -30°C |
| Working temperature maximum | +50°C |
| UL Type Rating | Type 12 |
| Weight with packaging | 1 g |
| Product weight | 1 g |

ELECTRICAL DATA

| | |
|-----------------------------|--------------------|
| Operating voltage | 24V |
| Operating voltage type | AC/DC |
| Operating voltage type | 50Hz |
| Operating voltage tolerance | +/- 10% |
| Rated operational voltage | 24 VDC |
| Rated operational current | 405 mA |
| Rated inrush current | 400 mA |
| Protection class | Protection class 2 |
| Pollution degree | 3 |

OPTICAL DATA

| | |
|----------------------|-----------|
| Light source | LED |
| Light colour | Blue |
| Optical signal image | Permanent |

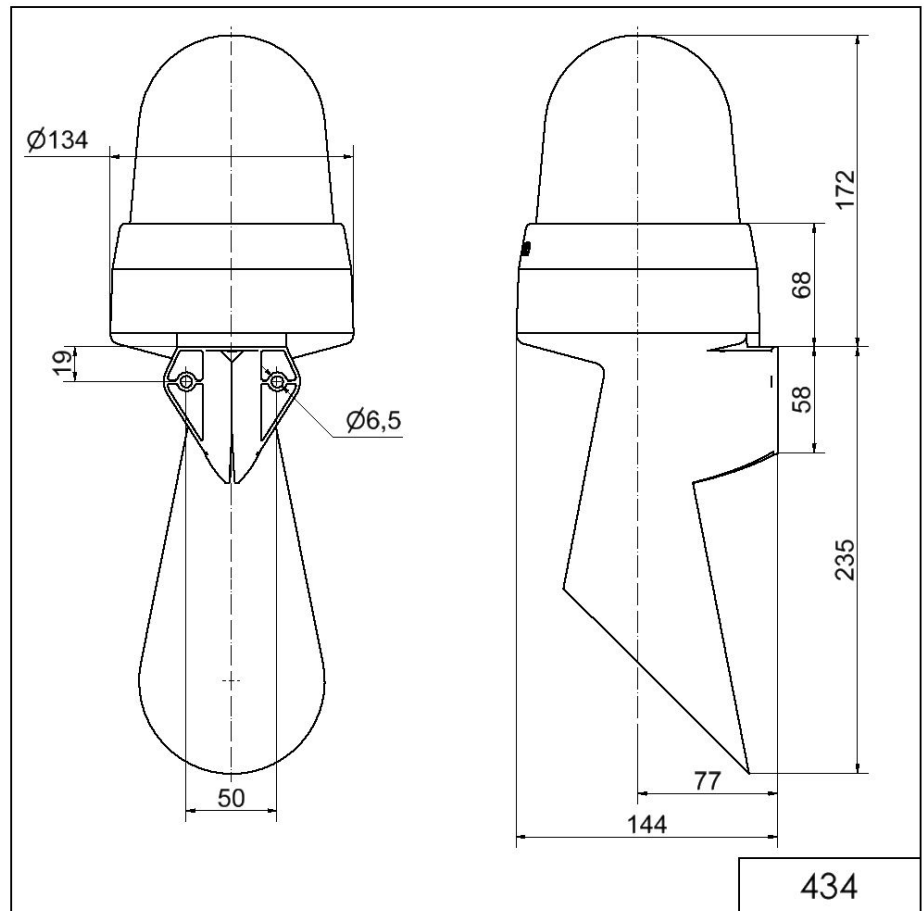


For additional installation and mounting information, refer to the appropriate user guide at www.werma.com. This printed copy is for information only and is subject to alteration.

LED Horn WM Contin. tone 24VAC/DC BU

| ACUSTICAL DATA | |
|-------------------------------|-----------------|
| Volume/dB(max) at 1m distance | 108,0 dB dB(A) |
| Acoustic signal image | Continuous tone |
| Audio frequency | 110 Hz |

DRAWING



For additional installation and mounting information, refer to the appropriate user guide at www.werma.com. This printed copy is for information only and is subject to alteration.