

Mini Horns Sirens Buzzer / Signal Horn 582

Signal horn WM Contin. tone 24VAC GY



Part No.: 582.052.65



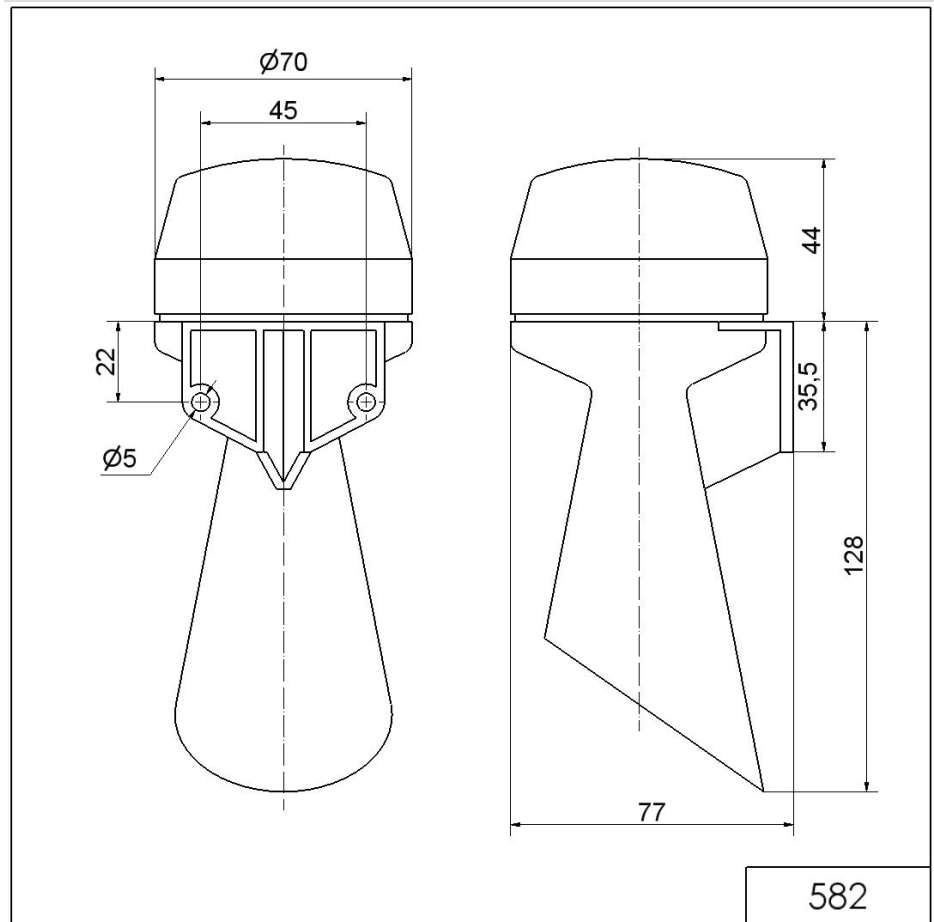
MECHANICAL DATA	
Height	172 mm
Diameter	70 mm
Materials	PC/ABS
Housing colour	Grey
Protection category	IP33
Connection	Screw terminals
cross-sectional area maximum	1,50mm ² / 16AWG
Cable entry	Through hole
Cable entry maximum	d = 9 mm
Type of fixing	Wall mounting
Service life optical	300 h minimum
Acoustic service life	300 h minimum
Working temperature minimum	-20°C
Working temperature maximum	+60°C
Weight with packaging	217 g
Product weight	180 g
ELECTRICAL DATA	
Operating voltage	24V
Operating voltage type	AC
Operating voltage type	50Hz
Operating voltage tolerance	+/- 10%
Rated operational voltage	24 VDC
Rated operational current	190 mA
Rated inrush current	<10A
Protection class	Protection class 1
Pollution degree	2
ACUSTICAL DATA	
Volume/dB(max) at 1m distance	92,0 dB dB(A)
Acoustic signal image	Continuous tone
Audio frequency	100 Hz

! For additional installation and mounting information, refer to the appropriate user guide at www.werma.com. This printed copy is for information only and is subject to alteration.

Mini Horns Sirens Buzzer / Signal Horn 582

Signal horn WM Contin. tone 24VAC GY

DRAWING



For additional installation and mounting information, refer to the appropriate user guide at www.werma.com. This printed copy is for information only and is subject to alteration.