

Mini Horns Sirens Buzzer / Signal Horn 582

Signal horn WM Contin. tone 12VAC GY

Part No.: 582.052.64

**MECHANICAL DATA**

Height	172 mm
Diameter	70 mm
Materials	PC/ABS
Housing colour	Grey
Protection category	IP33
Connection	Screw terminals
cross-sectional area maximum	1,50mm ² / 16AWG
Cable entry	Through hole
Cable entry maximum	d = 9 mm
Type of fixing	Wall mounting
Service life optical	300 h minimum
Acoustic service life	300 h minimum
Working temperature minimum	-20°C
Working temperature maximum	+60°C
Weight with packaging	210 g
Product weight	176 g

ELECTRICAL DATA

Operating voltage	12V
Operating voltage type	AC
Operating voltage type	50Hz
Operating voltage tolerance	+/- 10%
Rated operational voltage	12 VAC
Rated operational current	330 mA
Rated inrush current	<10A
Protection class	Protection class 1
Pollution degree	2

ACUSTICAL DATA

Volume/dB(max) at 1m distance	92,0 dB dB(A)
Acoustic signal image	Continuous tone
Audio frequency	100 Hz

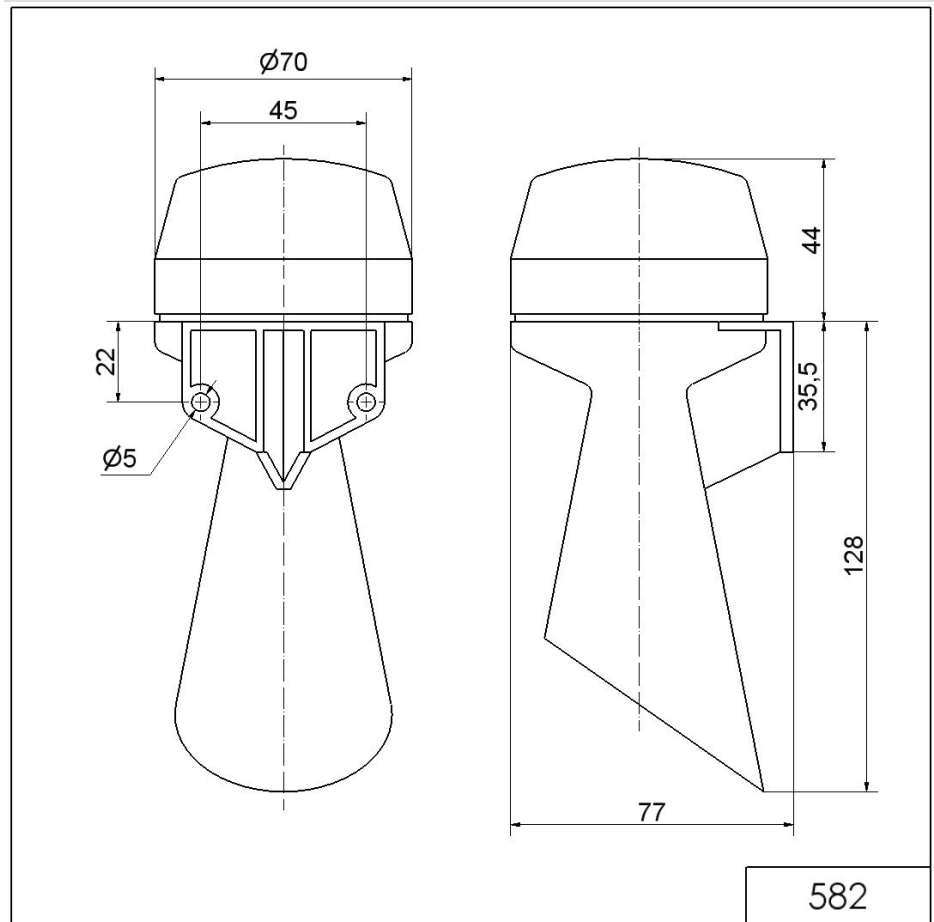


For additional installation and mounting information, refer to the appropriate user guide at www.werma.com. This printed copy is for information only and is subject to alteration.

Mini Horns Sirens Buzzer / Signal Horn 582

Signal horn WM Contin. tone 12VAC GY

DRAWING



! For additional installation and mounting information, refer to the appropriate user guide at www.werma.com. This printed copy is for information only and is subject to alteration.