

Mini Horns Sirens Buzzer / Signal Horn 582

**Signal horn WM Contin. tone 24VDC GY**

Part No.: 582.052.55

**MECHANICAL DATA**

Height	172 mm
Diameter	70 mm
Materials	PC/ABS
Housing colour	Grey
Protection category	IP33
Connection	Screw terminals
cross-sectional area maximum	1,50mm <sup>2</sup> / 16AWG
Cable entry	Through hole
Cable entry maximum	d = 9 mm
Type of fixing	Wall mounting
Service life optical	300 h minimum
Acoustic service life	300 h minimum
Working temperature minimum	-20°C
Working temperature maximum	+60°C
Weight with packaging	212 g
Product weight	179 g

**ELECTRICAL DATA**

Operating voltage	24V
Operating voltage type	DC
Operating voltage tolerance	+/- 10%
Rated operational voltage	24 VDC
Rated operational current	70 mA
Rated inrush current	<5A
Protection class	Protection class 3
Pollution degree	2
Request to external PSU	SELV/PELV

**ACUSTICAL DATA**

Volume/dB(max) at 1m distance	92,0 dB dB(A)
Acoustic signal image	Continuous tone
Audio frequency	500 Hz

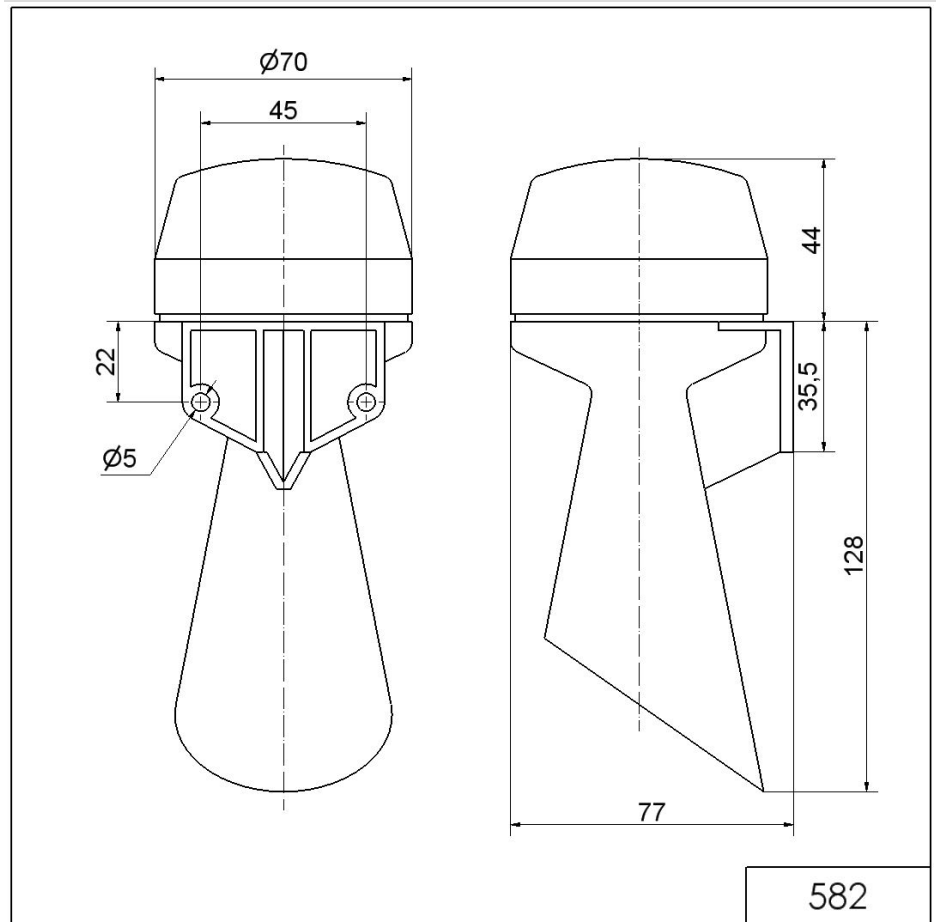


For additional installation and mounting information, refer to the appropriate user guide at [www.werma.com](http://www.werma.com). This printed copy is for information only and is subject to alteration.

Mini Horns Sirens Buzzer / Signal Horn 582

**Signal horn WM Contin. tone 24VDC GY**

**DRAWING**



For additional installation and mounting information, refer to the appropriate user guide at [www.werma.com](http://www.werma.com). This printed copy is for information only and is subject to alteration.