

Midi Horns and Sirens / Horn for bracket mounting 574/575

Signal horn WM Contin. tone 12-48VAC/DC



Part No.: 574.000.70



| MECHANICAL DATA | |
|------------------------------|-----------------------------|
| Height | 340 mm |
| Diameter | 134 mm |
| Materials | PC/ABS |
| Housing colour | Grey |
| Protection category | IP65 |
| Connection | Screw terminals |
| cross-sectional area maximum | 1,50mm ² / 16AWG |
| Cable entry | Membrane grommet |
| Cable entry minimum | d = 1 mm |
| Cable entry maximum | d = 13 mm |
| Type of fixing | Wall mounting |
| Service life optical | 5,000 h minimum |
| Acoustic service life | 5,000 h minimum |
| Working temperature minimum | -30°C |
| Working temperature maximum | +50°C |
| UL Type Rating | Type 12 |
| Weight with packaging | 625 g |
| Product weight | 501 g |

| ELECTRICAL DATA | |
|-----------------------------|--------------------|
| Operating voltage | 12-48V |
| Operating voltage type | AC/DC |
| Operating voltage type | 50Hz |
| Operating voltage tolerance | +/- 0% |
| Rated operational voltage | 24 VDC |
| Rated operational current | 210 mA |
| Rated inrush current | 650 mA |
| Protection class | Protection class 2 |
| Pollution degree | 3 |

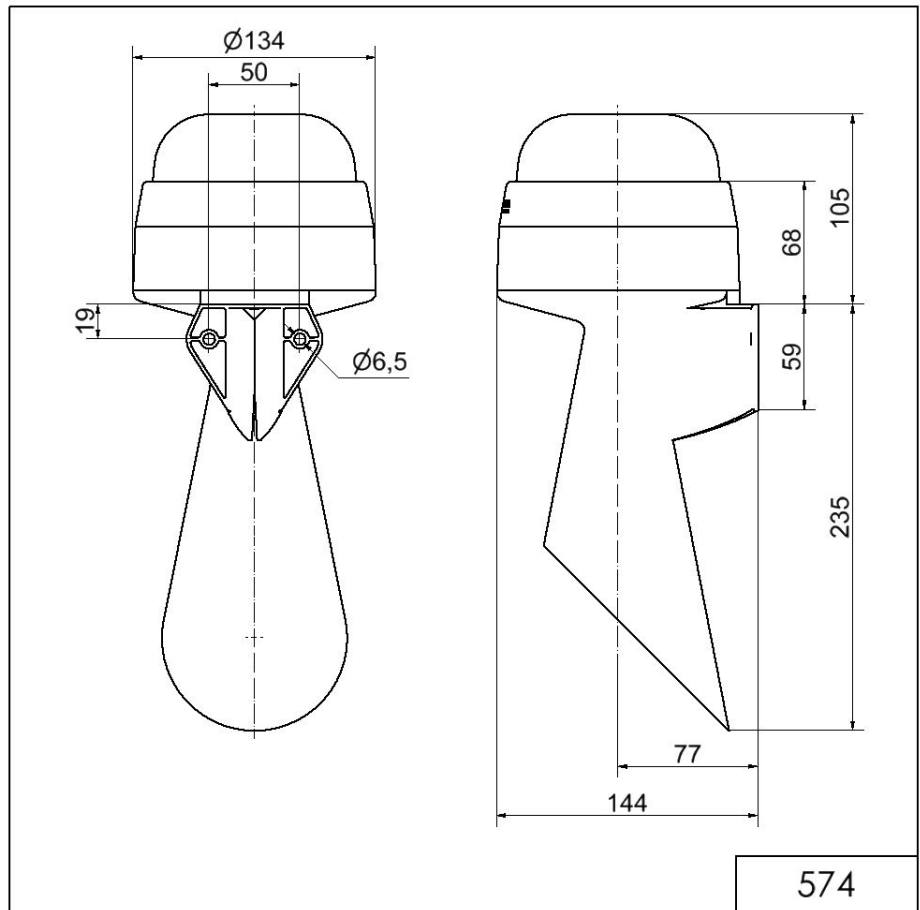
| ACUSTICAL DATA | |
|-------------------------------|-----------------|
| Volume/dB(max) at 1m distance | 108,0 dB dB(A) |
| Acoustic signal image | Continuous tone |
| Audio frequency | 110 Hz |

! For additional installation and mounting information, refer to the appropriate user guide at www.werma.com. This printed copy is for information only and is subject to alteration.

Midi Horns and Sirens / Horn for bracket mounting 574/575

Signal horn WM Contin. tone 12-48VAC/DC

DRAWING



For additional installation and mounting information, refer to the appropriate user guide at www.werma.com. This printed copy is for information only and is subject to alteration.