

Midi Horns and Sirens / Signal Horn 573

Signal horn WM Contin. tone 24VDC BK/GY

Part No.: 573.000.55

**MECHANICAL DATA**

Length	232 mm
Width	104 mm
Height	232 mm
Materials	PC/ABS
Housing colour	Black
Protection category	IP65
Connection	Screw terminals
cross-sectional area maximum	2,50mm ² / 14AWG
Cable entry	Screwed cable gland
Cable entry minimum	d = 5 mm
Cable entry maximum	d = 10 mm
Tension relief	Present (conforms to VDI)
Type of fixing	Wall mounting
Service life optical	250 h minimum
Acoustic service life	250 h minimum
Working temperature minimum	-30°C
Working temperature maximum	+50°C
Weight with packaging	1300 g
Product weight	1200 g

ELECTRICAL DATA

Operating voltage	24V
Operating voltage type	DC
Operating voltage tolerance	+/- 10%
Rated operational voltage	24 VDC
Rated operational current	350 mA
Rated inrush current	<5A
Protection class	Protection class 1
Pollution degree	3

ACUSTICAL DATA

Volume/dB(max) at 1m distance	105,0 dB dB(A)
Acoustic signal image	Continuous tone

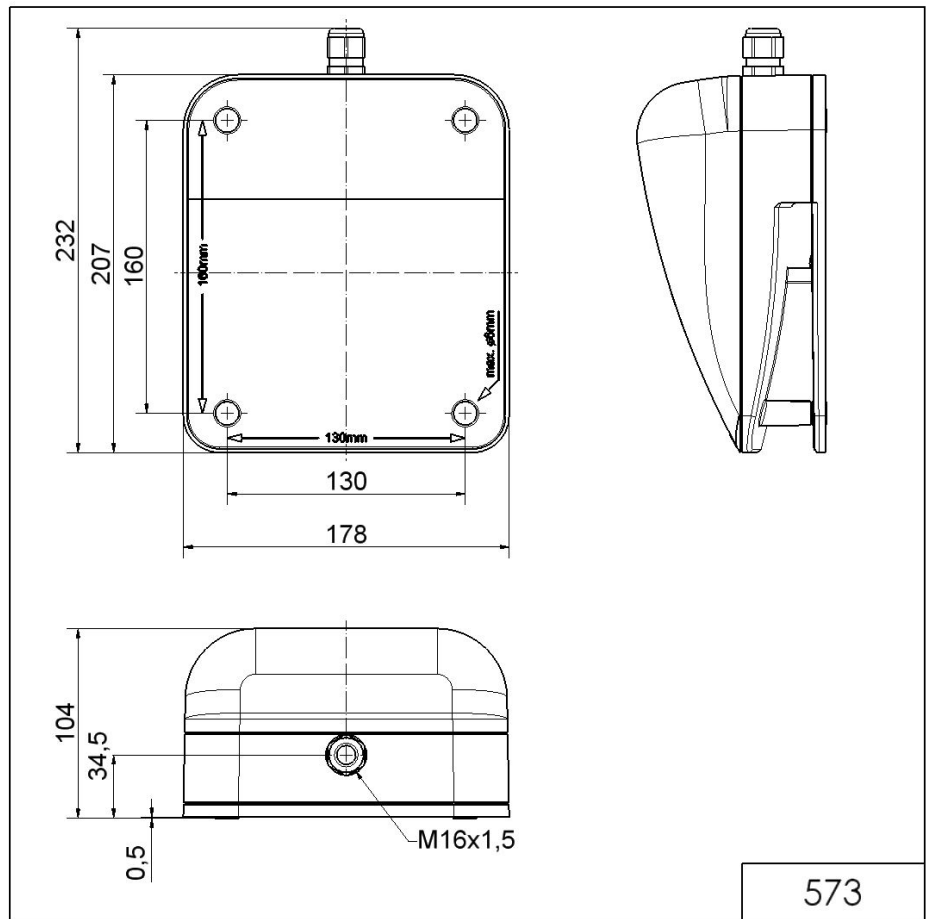


For additional installation and mounting information, refer to the appropriate user guide at www.werma.com. This printed copy is for information only and is subject to alteration.

Midi Horns and Sirens / Signal Horn 573

Signal horn WM Contin. tone 24VDC BK/GY

DRAWING



573



For additional installation and mounting information, refer to the appropriate user guide at www.werma.com. This printed copy is for information only and is subject to alteration.