

Midi Horns and Sirens / Signal Horn 570

Signal horn WM Pulse tone 230VAC GY



Part No.: 570.100.68



MECHANICAL DATA	
Length	152 mm
Height	350 mm
Diameter	148 mm
Materials	PC/ABS
Housing colour	Grey
Protection category	IP55
Connection	Screw terminals
cross-sectional area maximum	2,50mm ² / 14AWG
Cable entry	Through hole
Cable entry maximum	d = 10 mm
Type of fixing	Wall mounting
Service life optical	250 h minimum
Acoustic service life	250 h minimum
Working temperature minimum	-20°C
Working temperature maximum	+60°C
Weight with packaging	1070 g
Product weight	920 g

ELECTRICAL DATA	
Operating voltage	230V
Operating voltage type	AC
Operating voltage type	50Hz
Operating voltage tolerance	+/- 10%
Rated operational voltage	230 VAC
Rated operational current	70 mA
Rated inrush current	<500mA
Protection class	Protection class 2
Pollution degree	3
Overvoltage category	II
Isolation voltage	Ui = 250V; Uimp = 2.500V

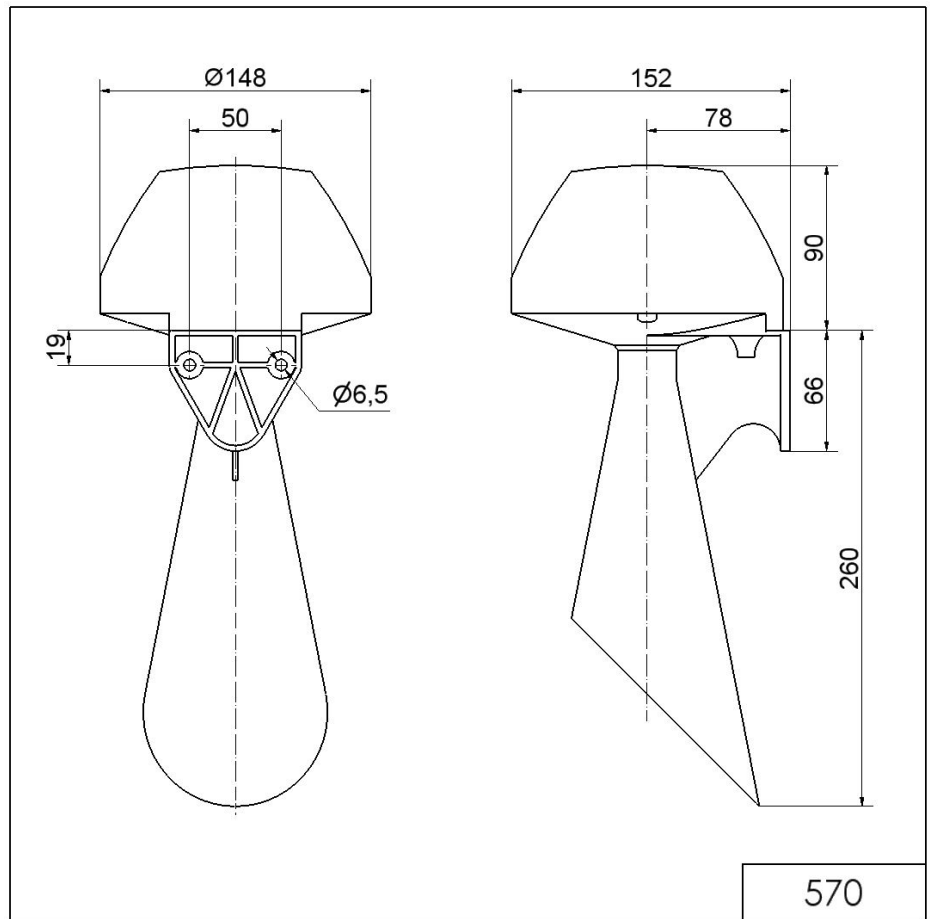
ACUSTICAL DATA	
Volume/dB(max) at 1m distance	108,0 dB dB(A)
Acoustic signal image	Pulse tone

! For additional installation and mounting information, refer to the appropriate user guide at www.werma.com. This printed copy is for information only and is subject to alteration.

Midi Horns and Sirens / Signal Horn 570

Signal horn WM Pulse tone 230VAC GY

DRAWING



For additional installation and mounting information, refer to the appropriate user guide at www.werma.com. This printed copy is for information only and is subject to alteration.