

Midi Horns and Sirens / Signal Horn 570

**Signal horn WM Contin. tone 115VDC GY**



Part No.: 570.052.57



MECHANICAL DATA	
Length	152 mm
Height	350 mm
Diameter	148 mm
Materials	PC/ABS
Housing colour	Grey
Protection category	IP55
Connection	Screw terminals
cross-sectional area maximum	2,50mm <sup>2</sup> / 14AWG
Cable entry	Through hole
Cable entry maximum	d = 10 mm
Type of fixing	Wall mounting
Service life optical	250 h minimum
Acoustic service life	250 h minimum
Working temperature minimum	-20°C
Working temperature maximum	+60°C
Weight with packaging	1047 g
Product weight	880 g

ELECTRICAL DATA	
Operating voltage	115V
Operating voltage type	DC
Operating voltage tolerance	+/- 10%
Rated operational voltage	115 VDC
Rated operational current	150 mA
Protection class	Protection class 2
Pollution degree	3
Overtoltage category	II
Isolation voltage	Ui = 250V; Uimp = 2.500V

ACUSTICAL DATA	
Volume/dB(max) at 1m distance	108,0 dB dB(A)
Acoustic signal image	Continuous tone

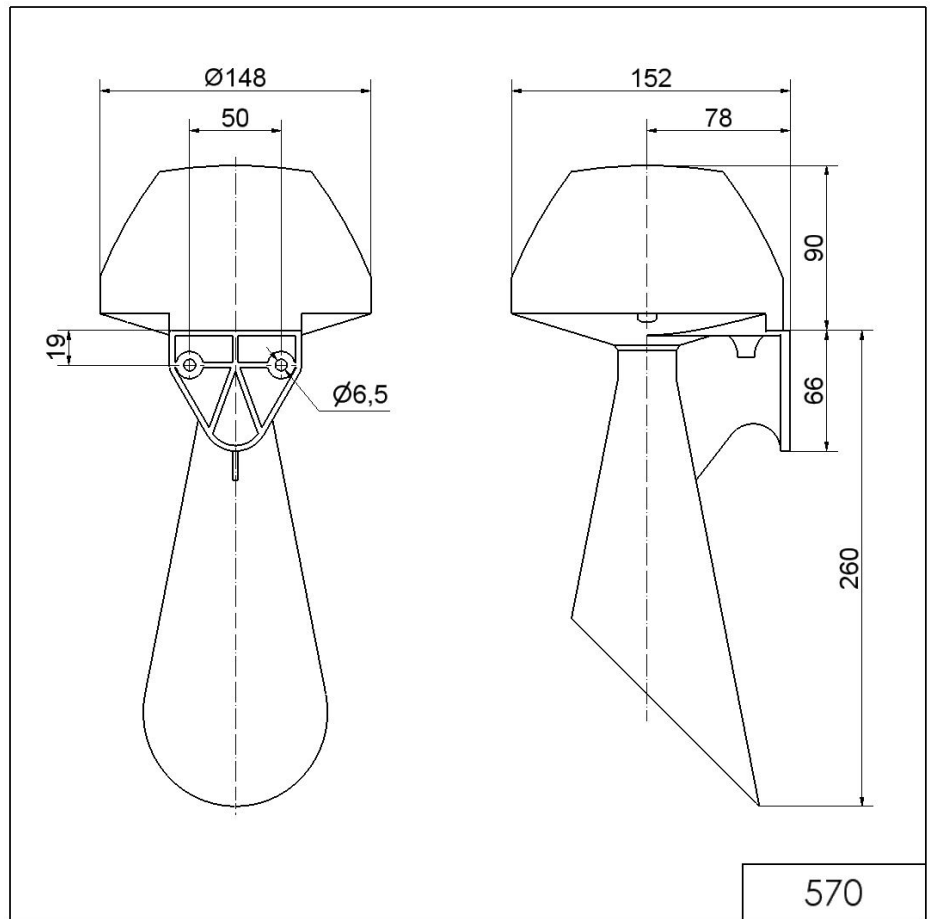


For additional installation and mounting information, refer to the appropriate user guide at [www.werma.com](http://www.werma.com). This printed copy is for information only and is subject to alteration.

Midi Horns and Sirens / Signal Horn 570

**Signal horn WM Contin. tone 115VDC GY**

**DRAWING**



For additional installation and mounting information, refer to the appropriate user guide at [www.werma.com](http://www.werma.com). This printed copy is for information only and is subject to alteration.