

Mini Horns Sirens Buzzer / Signal Horn 482
Buzzer WM Contin. tone 12VDC GY



Part No.: 482.347.14

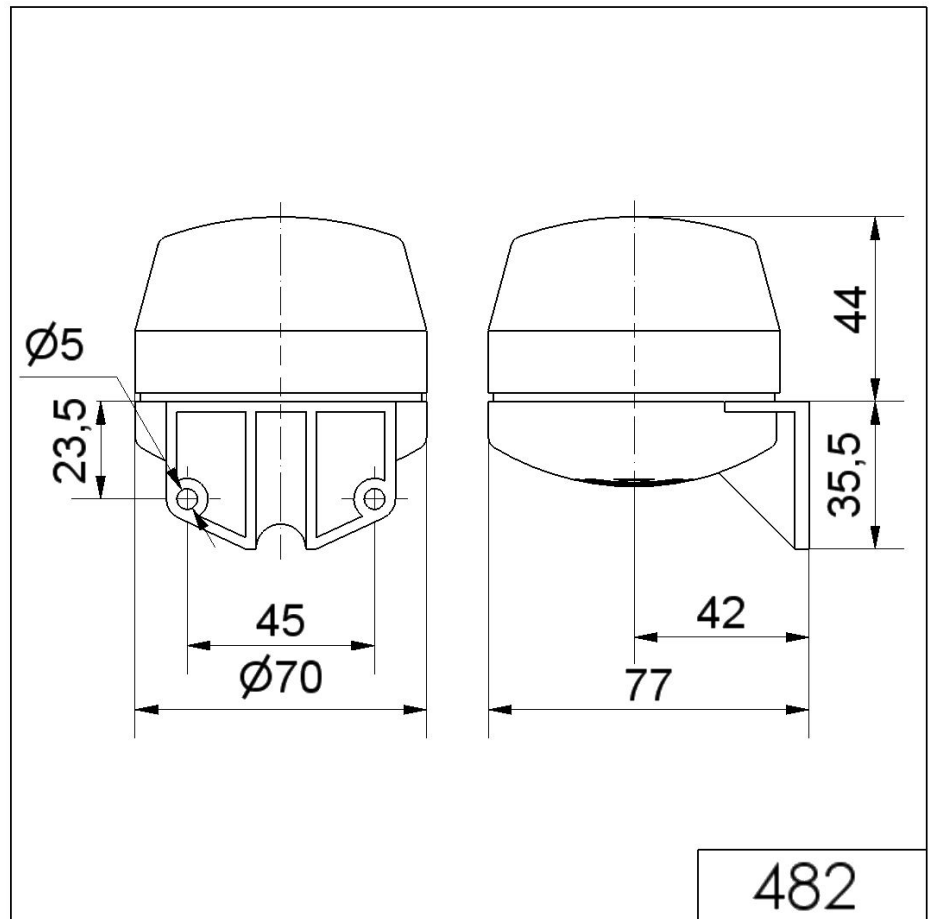


MECHANICAL DATA	
Height	80 mm
Diameter	70 mm
Materials	PC/ABS
Housing colour	Grey
Protection category	IP33
Connection	Screw terminals
cross-sectional area maximum	1,50mm ² / 16AWG
Cable entry	Through hole
Cable entry maximum	d = 9 mm
Type of fixing	Wall mounting
Service life optical	300 h minimum
Acoustic service life	300 h minimum
Working temperature minimum	-20°C
Working temperature maximum	+60°C
Weight with packaging	177 g
Product weight	151 g
ELECTRICAL DATA	
Operating voltage	12V
Operating voltage type	DC
Operating voltage tolerance	+/- 10%
Rated operational voltage	12 VDC
Rated operational current	130 mA
Rated inrush current	<5A
Protection class	Protection class 3
Pollution degree	2
Request to external PSU	SELV/PELV
ACUSTICAL DATA	
Volume/dB(max) at 1m distance	83,0 dB dB(A)
Acoustic signal image	Continuous tone
Audio frequency	500 Hz

! For additional installation and mounting information, refer to the appropriate user guide at www.werma.com. This printed copy is for information only and is subject to alteration.

Mini Horns Sirens Buzzer / Signal Horn 482
Buzzer WM Contin. tone 12VDC GY

DRAWING



For additional installation and mounting information, refer to the appropriate user guide at www.werma.com. This printed copy is for information only and is subject to alteration.