

Mini Horns Sirens Buzzer / Signal Horn 482

Signal horn WM Contin. tone 230VAC GY

Part No.: 482.052.68

**MECHANICAL DATA**

Height	80 mm
Diameter	70 mm
Materials	PC/ABS
Housing colour	Grey
Protection category	IP33
Connection	Screw terminals
cross-sectional area maximum	1,50mm ² / 16AWG
Cable entry	Through hole
Cable entry maximum	d = 9 mm
Type of fixing	Wall mounting
Service life optical	300 h minimum
Acoustic service life	300 h minimum
Working temperature minimum	-20°C
Working temperature maximum	+60°C
Weight with packaging	173 g
Product weight	160 g

ELECTRICAL DATA

Operating voltage	230V
Operating voltage type	AC
Operating voltage type	50Hz
Operating voltage tolerance	+/- 10%
Rated operational voltage	230 VAC
Rated operational current	15 mA
Rated inrush current	<500mA
Protection class	Protection class 1
Pollution degree	2
Overvoltage category	II
Isolation voltage	U _i = 250V; U _{imp} = 2.500V

ACUSTICAL DATA

Volume/dB(max) at 1m distance	92,0 dB dB(A)
Acoustic signal image	Continuous tone
Audio frequency	100 Hz

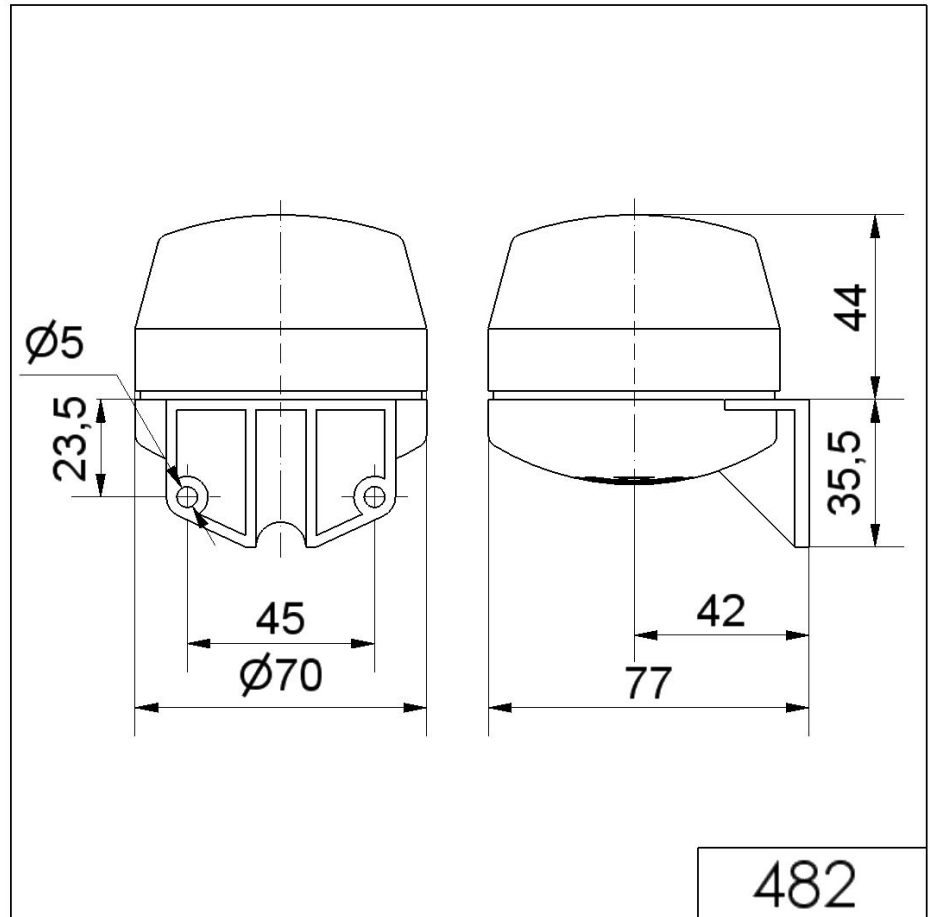


For additional installation and mounting information, refer to the appropriate user guide at www.werma.com. This printed copy is for information only and is subject to alteration.

Mini Horns Sirens Buzzer / Signal Horn 482

Signal horn WM Contin. tone 230VAC GY

DRAWING



! For additional installation and mounting information, refer to the appropriate user guide at www.werma.com. This printed copy is for information only and is subject to alteration.