

Electromechanical Audible Signal Devices / Installation Buzzers 382
Buzzer EM Contin. tone 230VAC SR



Part No.: 382.013.68

MECHANICAL DATA	
Height	37 mm
Diameter	55 mm
Materials	Steel
Housing colour	Silver
Protection category	IP20
Connection	Stranded wires (tinned)
Type of fixing	Built-in mounting
Service life optical	300 h minimum
Acoustic service life	300 h minimum
Working temperature minimum	-20°C
Working temperature maximum	+60°C
Weight with packaging	100 g
Product weight	100 g

ELECTRICAL DATA	
Operating voltage	230V
Operating voltage type	AC
Operating voltage type	50Hz
Operating voltage tolerance	+/- 10%
Rated operational voltage	230 VAC
Rated operational current	15 mA
Rated inrush current	<500mA
Pollution degree	2

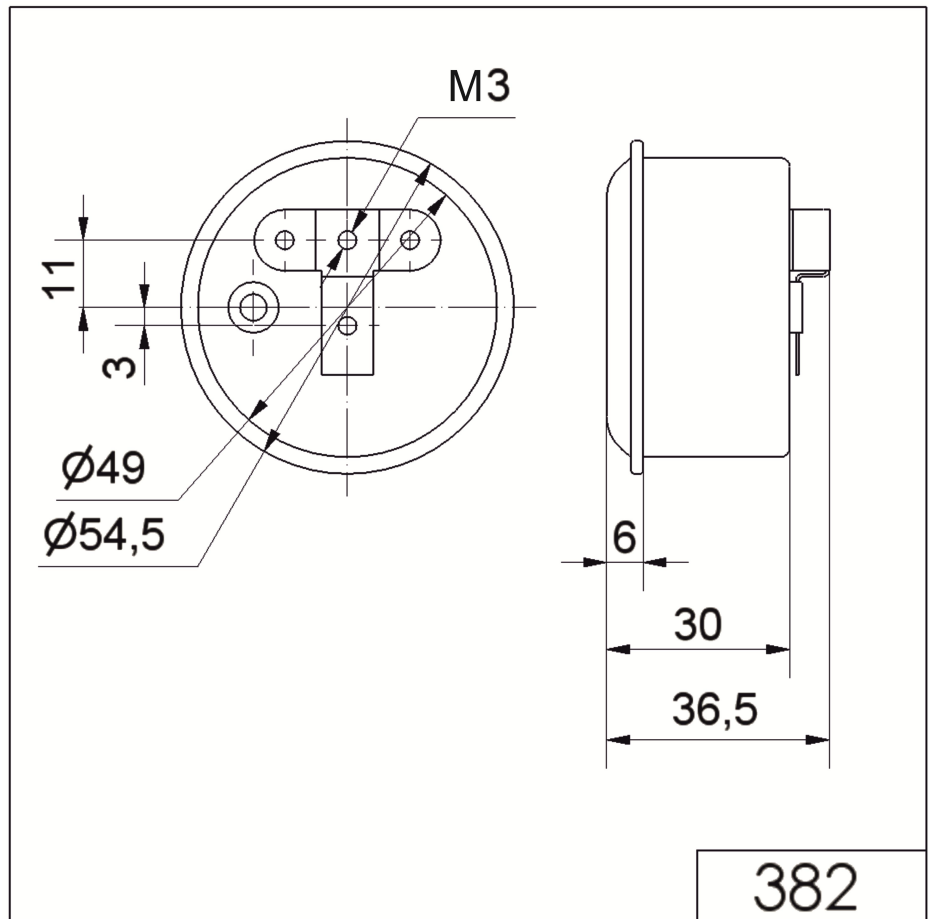
ACUSTICAL DATA	
Volume/dB(max) at 1m distance	90,0 dB dB(A)
Acoustic signal image	Continuous tone
Audio frequency	100 Hz



For additional installation and mounting information, refer to the appropriate user guide at www.werma.com. This printed copy is for information only and is subject to alteration.

Electromechanical Audible Signal Devices / Installation Buzzers 382
Buzzer EM Contin. tone 230VAC SR

DRAWING



For additional installation and mounting information, refer to the appropriate user guide at www.werma.com. This printed copy is for information only and is subject to alteration.