

Electromechanical Audible Signal Devices / Installation Buzzers 382

Buzzer EM Contin. tone 24VDC SR**Part No.:** 382.013.55

MECHANICAL DATA	
Height	37 mm
Diameter	55 mm
Materials	Steel
Housing colour	Silver
Protection category	IP00
Connection	Stranded wires with ferrules
Type of fixing	Built-in mounting
Service life optical	300 h minimum
Acoustic service life	300 h minimum
Working temperature minimum	-20°C
Working temperature maximum	+60°C
Weight with packaging	101 g
Product weight	100 g

ELECTRICAL DATA	
Operating voltage	24V
Operating voltage type	DC
Operating voltage tolerance	+/- 10%
Rated operational voltage	24 VDC
Rated operational current	70 mA
Rated inrush current	<5A
Pollution degree	2

ACUSTICAL DATA	
Volume/dB(max) at 1m distance	90,0 dB dB(A)
Acoustic signal image	Continuous tone
Audio frequency	600 Hz

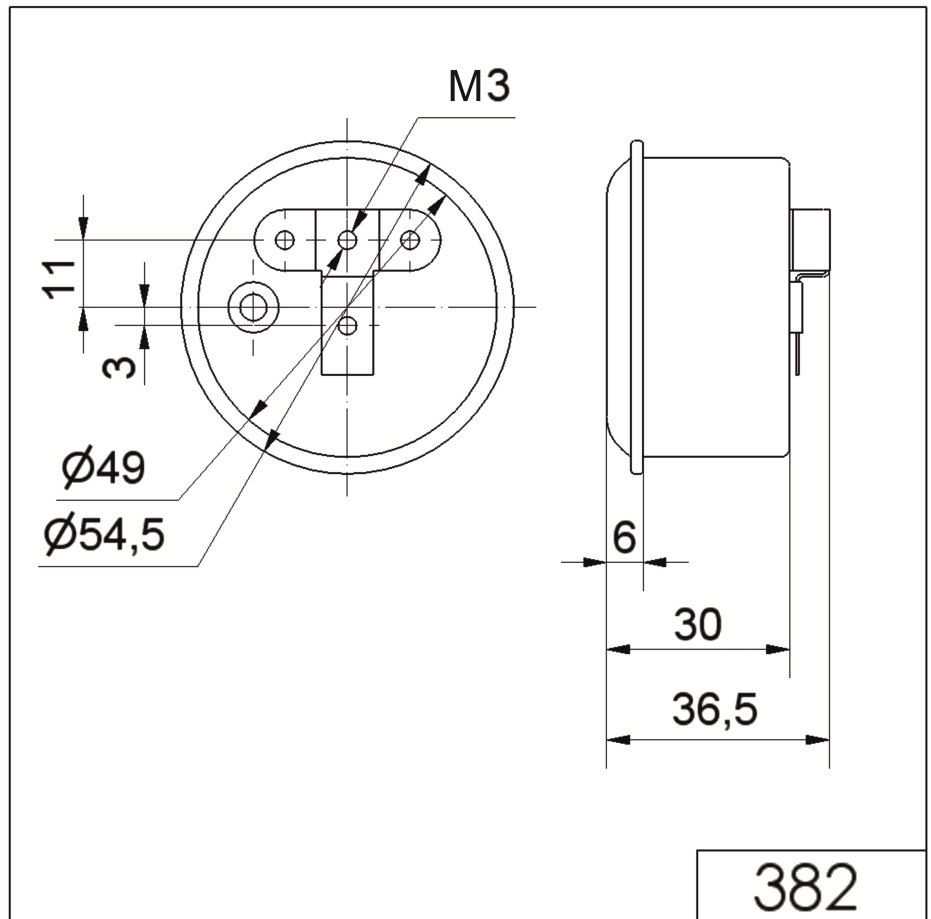


For additional installation and mounting information, refer to the appropriate user guide at www.werma.com. This printed copy is for information only and is subject to alteration.

Electromechanical Audible Signal Devices / Installation Buzzers 382

Buzzer EM Contin. tone 24VDC SR

DRAWING



For additional installation and mounting information, refer to the appropriate user guide at www.werma.com. This printed copy is for information only and is subject to alteration.