

Electromechanical Audible Signal Devices / AC Installation Buzzers 338
Buzzer EM Contin. tone 230VAC

Part No.: 338.273.28

MECHANICAL DATA

Length	35 mm
Width	23 mm
Height	19 mm
Diameter	23 mm
Materials	PA-GF
Housing colour	Black
Protection category	IP00
Connection	Flat plug
Type of fixing	Built-in mounting
Service life optical	300 h minimum
Acoustic service life	300 h minimum
Working temperature minimum	-20°C
Working temperature maximum	+60°C
Weight with packaging	23 g
Product weight	23 g

ELECTRICAL DATA

Operating voltage	230V
Operating voltage type	AC
Operating voltage type	50Hz
Operating voltage tolerance	+/- 10%
Rated operational voltage	230 VAC
Rated inrush current	<500mA
Pollution degree	2

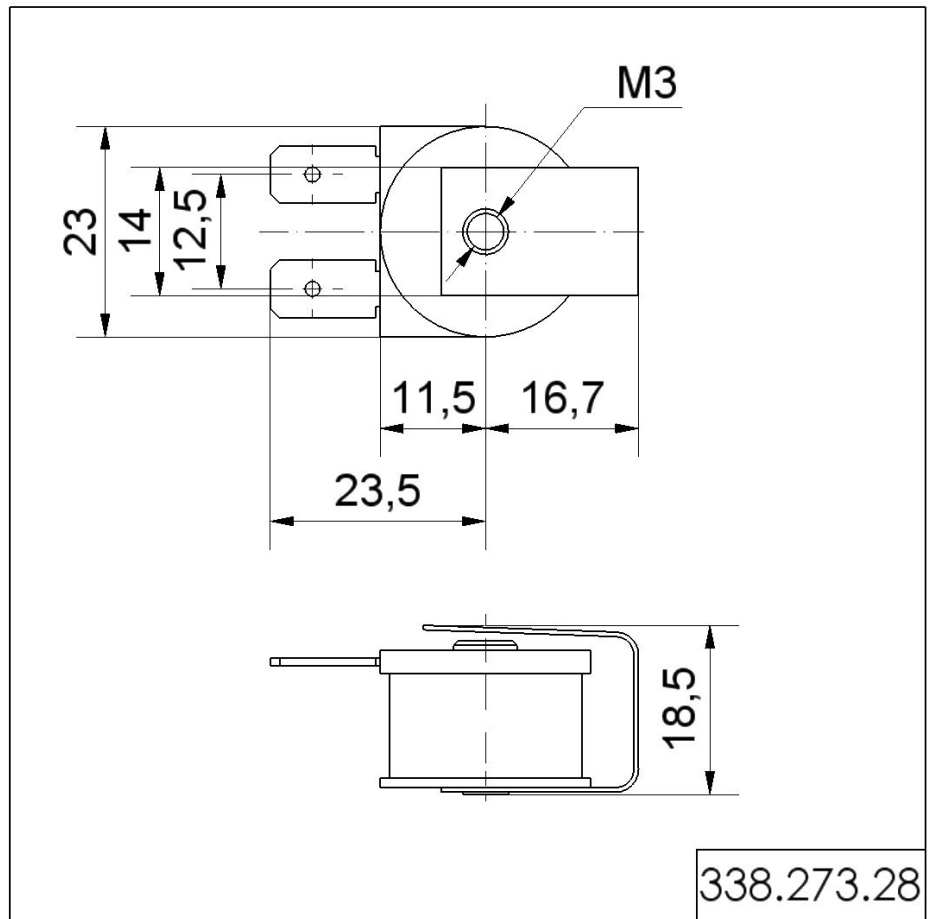
ACUSTICAL DATA

Volume/dB(max) at 1m distance	75,0 dB dB(A)
Acoustic signal image	Continuous tone
Audio frequency	100 Hz


 For additional installation and mounting information, refer to the appropriate user guide at www.werma.com. This printed copy is for information only and is subject to alteration.

Electromechanical Audible Signal Devices / AC Installation Buzzers 338
Buzzer EM Contin. tone 230VAC

DRAWING



For additional installation and mounting information, refer to the appropriate user guide at www.werma.com. This printed copy is for information only and is subject to alteration.