

Design multi-tone sounder / Multi-t.sounder 140

**Multi-t.sounder WM 32 tne 115-230VAC RD**

Part No.: 140.150.60

**MECHANICAL DATA**

Height	110 mm
Diameter	100 mm
Materials	PC/ABS
Housing colour	Red
Protection category	IP65
Connection	Screw terminals
cross-sectional area maximum	2,50mm <sup>2</sup> / 14AWG
Cable entry	Through hole
Type of fixing	Wall mounting
Acoustic service life	5,000 h minimum
Working temperature minimum	-40°C
Working temperature maximum	+70°C
Weight with packaging	338 g
Product weight	299 g

**ELECTRICAL DATA**

Operating voltage	115-230V
Operating voltage type	AC
Operating voltage type	50Hz at 230V 60Hz at 115V
Operating voltage tolerance	+/- 10%
Rated operational voltage	230 VAC
Rated operational current	40 mA
Protection class	Protection class 2
Pollution degree	3
Overvoltage category	II
Isolation voltage	Ui = 250V; Uimp = 2.500V

**ACUSTICAL DATA**

Volume/dB(max) at 1m distance	115,0 dB dB(A)
Acoustic signal image	Multi-tone
Number of tones	32 tone

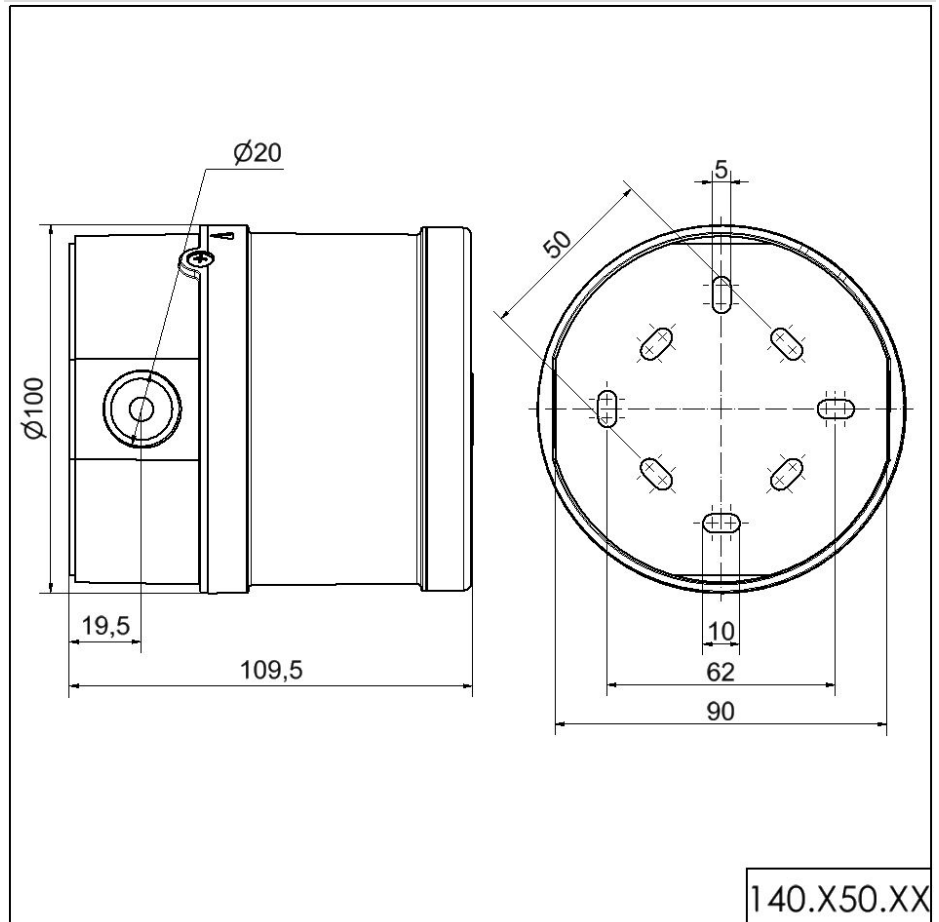


For additional installation and mounting information, refer to the appropriate user guide at [www.werma.com](http://www.werma.com). This printed copy is for information only and is subject to alteration.

Design multi-tone sounder / Multi-t.sounder 140

**Multi-t.sounder WM 32 tne 115-230VAC RD**

**DRAWING**



! For additional installation and mounting information, refer to the appropriate user guide at [www.werma.com](http://www.werma.com). This printed copy is for information only and is subject to alteration.