

Design multi-tone sounder / Multi-t.sounder 140
Multi-t.sounder WM 32 tne 9-28VDC RD



Part No.: 140.150.50



| MECHANICAL DATA | |
|------------------------------|-----------------------------|
| Height | 110 mm |
| Diameter | 100 mm |
| Materials | PC/ABS |
| Housing colour | Red |
| Protection category | IP65 |
| Connection | Screw terminals |
| cross-sectional area maximum | 2,50mm ² / 14AWG |
| Cable entry | Through hole |
| Type of fixing | Wall mounting |
| Acoustic service life | 5,000 h minimum |
| Working temperature minimum | -40°C |
| Working temperature maximum | +70°C |
| Weight with packaging | 315 g |
| Product weight | 272 g |

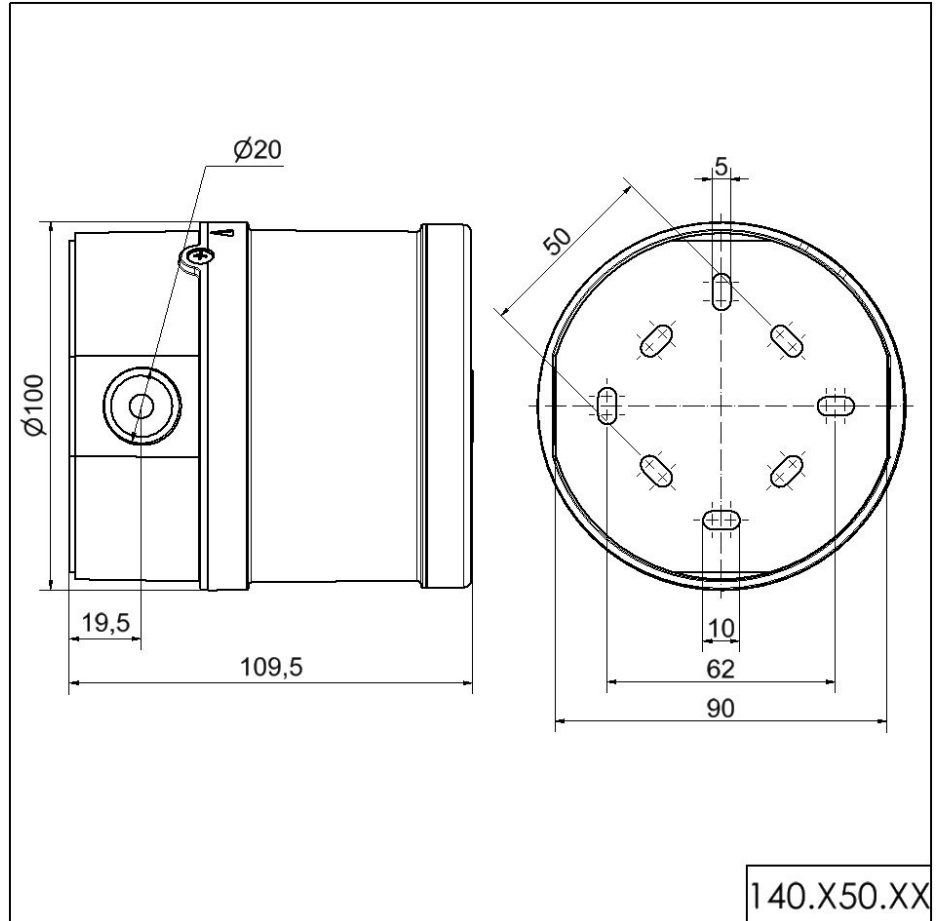
| ELECTRICAL DATA | |
|-----------------------------|--------------------|
| Operating voltage | 9-28V |
| Operating voltage type | DC |
| Operating voltage tolerance | +/- 0% |
| Rated operational voltage | 24 VDC |
| Rated operational current | 120 mA |
| Rated inrush current | 1.400 mA |
| Protection class | Protection class 2 |
| Pollution degree | 3 |

| ACUSTICAL DATA | |
|-------------------------------|----------------|
| Volume/dB(max) at 1m distance | 115,0 dB dB(A) |
| Acoustic signal image | Multi-tone |
| Number of tones | 32 tone |

! For additional installation and mounting information, refer to the appropriate user guide at www.werma.com. This printed copy is for information only and is subject to alteration.

Design multi-tone sounder / Multi-t.sounder 140
Multi-t.sounder WM 32 tne 9-28VDC RD

DRAWING



For additional installation and mounting information, refer to the appropriate user guide at www.werma.com. This printed copy is for information only and is subject to alteration.