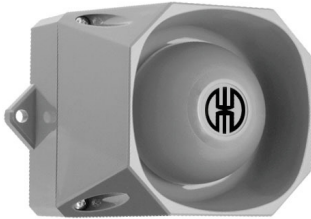


Horns and Sirens / Heavy-Duty multi-tone sounder  
**Multi-t.sounder WM 32 tne 9-60VDC GY**


Part No.: 139.100.55

**MECHANICAL DATA**

Length	119 mm
Width	136 mm
Height	108 mm
Materials	ABS
Housing colour	Red
Protection category	IP66
Connection	Screw terminals
cross-sectional area maximum	2,50mm <sup>2</sup> / 14AWG
Cable entry	Screwed cable gland
Tension relief	Present (conforms to VDI)
Type of fixing	Wall mounting
Service life optical	5,000 h minimum
Acoustic service life	5,000 h minimum
Working temperature minimum	-25°C
Working temperature maximum	+70°C
Weight with packaging	404 g
Product weight	349 g

**ELECTRICAL DATA**

Operating voltage	9-60V
Operating voltage type	DC
Operating voltage tolerance	+/- 0%
Rated operational voltage	24 VDC
Rated operational current	15 mA
Protection class	Protection class 2
Pollution degree	3

**ACUSTICAL DATA**

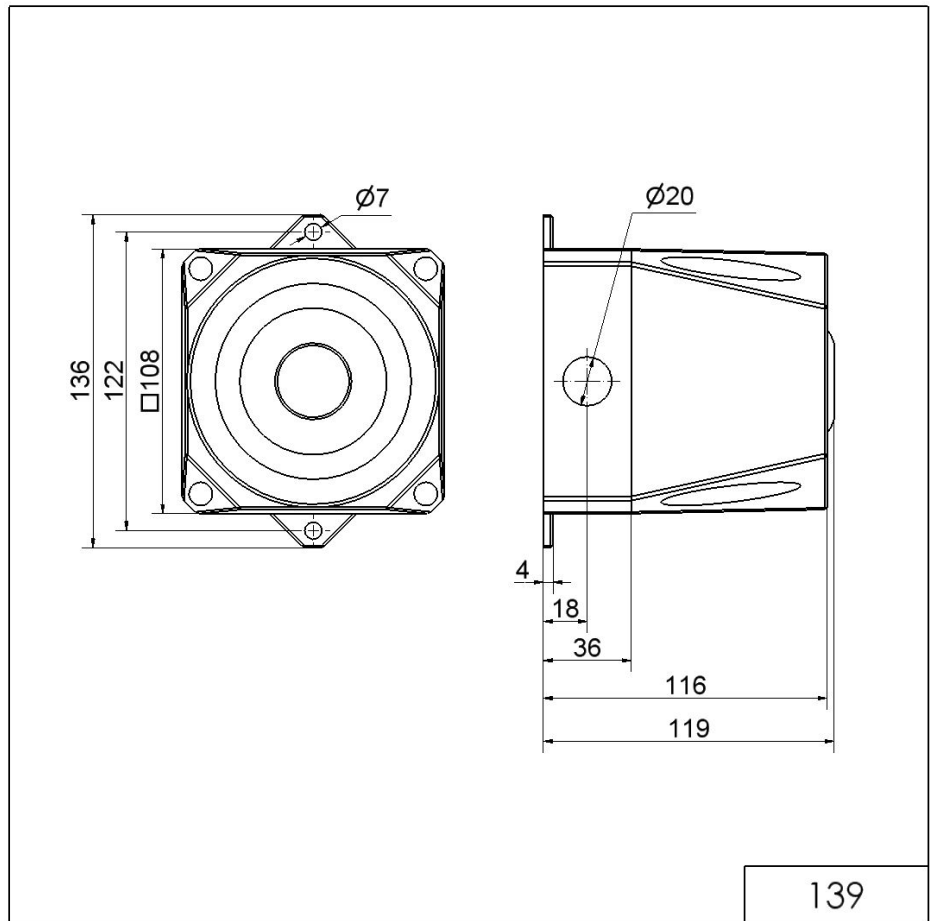
Volume/dB(max) at 1m distance	105,0 dB dB(A)
Acoustic signal image	Multi-tone
Number of tones	32 tone



For additional installation and mounting information, refer to the appropriate user guide at [www.werma.com](http://www.werma.com). This printed copy is for information only and is subject to alteration.

Horns and Sirens / Heavy-Duty multi-tone sounder  
**Multi-t.sounder WM 32 tne 9-60VDC GY**

DRAWING



139

! For additional installation and mounting information, refer to the appropriate user guide at [www.werma.com](http://www.werma.com). This printed copy is for information only and is subject to alteration.