

Horns and Sirens / Heavy-Duty multi-tone sounder

**Multi-t.sounder WM 31 tne 115VAC RD**

Part No.: 129.052.67

**MECHANICAL DATA**

Length	161 mm
Width	143 mm
Height	161 mm
Materials	Aluminium
Housing colour	Red
Protection category	IP66 IP67
Connection	Screw terminals
cross-sectional area maximum	2,50mm <sup>2</sup> / 14AWG
Cable entry	Screwed cable gland
Cable entry minimum	d = 8 mm
Cable entry maximum	d = 12 mm
Tension relief	Present (conforms to VDI)
Type of fixing	Wall mounting
Acoustic service life	5,000 h minimum
Working temperature minimum	-40°C
Working temperature maximum	+55°C
Weight with packaging	2700 g
Product weight	2520 g

**ELECTRICAL DATA**

Operating voltage	115V
Operating voltage type	AC
Operating voltage type	60Hz
Operating voltage tolerance	+/- 10%
Rated operational voltage	115 VAC
Rated operational current	120 mA
Rated inrush current	950 mA
Protection class	Protection class 1
Pollution degree	3
Overvoltage category	II
Isolation voltage	Ui = 250V; Uimp = 2.500V

**ACUSTICAL DATA**

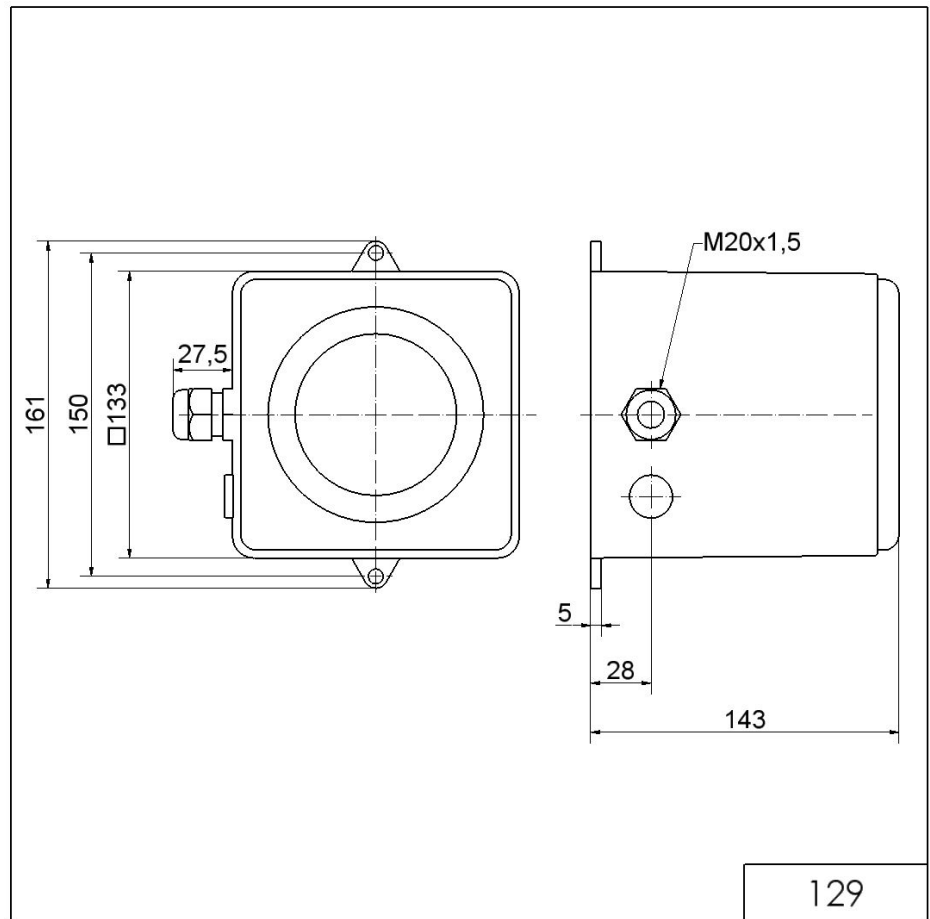
Volume/dB(max) at 1m distance	110,0 dB dB(A)
Acoustic signal image	Multi-tone
Number of tones	32 tone



For additional installation and mounting information, refer to the appropriate user guide at [www.werma.com](http://www.werma.com). This printed copy is for information only and is subject to alteration.

Horns and Sirens / Heavy-Duty multi-tone sounder  
**Multi-t.sounder WM 31 tne 115VAC RD**

**DRAWING**



For additional installation and mounting information, refer to the appropriate user guide at [www.werma.com](http://www.werma.com). This printed copy is for information only and is subject to alteration.