

Mini Horns Sirens Buzzer / Buzzer 127

**Buzzer BM Contin/pulse 115VAC BK**

Part No.: 127.000.67

**MECHANICAL DATA**

Length	91 mm
Width	89 mm
Height	64 mm
Diameter	89 mm
Materials	PC
Housing colour	Black
Protection category	IP65
Connection	Screw terminals
cross-sectional area maximum	1,50mm <sup>2</sup> / 16AWG
Cable entry	Membrane grommet
Cable entry minimum	d = 1 mm
Cable entry maximum	d = 9 mm
Tension relief	Pull-out protection
Type of fixing	Base mounting
Service life optical	5,000 h minimum
Acoustic service life	5,000 h minimum
Working temperature minimum	-20°C
Working temperature maximum	+50°C
Weight with packaging	115 g
Product weight	85 g

**ELECTRICAL DATA**

Operating voltage	115V
Operating voltage type	AC
Operating voltage type	60Hz
Operating voltage tolerance	+/- 10%
Rated operational voltage	115 VAC
Rated operational current	25 mA
Rated inrush current	500 mA
Protection class	Protection class 2
Pollution degree	3
Overvoltage category	II
Isolation voltage	Ui = 250V; Uimp = 2.500V

**ACUSTICAL DATA**

Volume/dB(max) at 1m distance	92,0 dB dB(A)
Acoustic signal image	Continuous tone Pulse tone
Audio frequency	2300 Hz

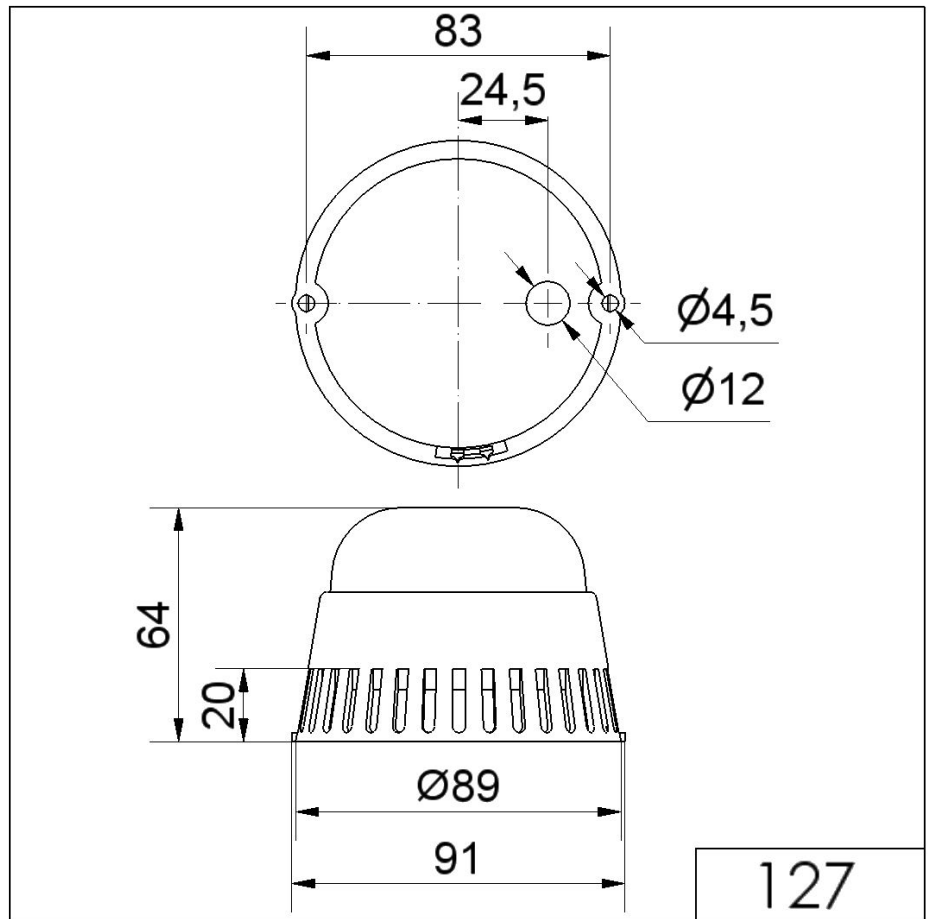


For additional installation and mounting information, refer to the appropriate user guide at [www.werma.com](http://www.werma.com). This printed copy is for information only and is subject to alteration.

Mini Horns Sirens Buzzer / Buzzer 127

**Buzzer BM Contin/pulse 115VAC BK**

DRAWING



! For additional installation and mounting information, refer to the appropriate user guide at [www.werma.com](http://www.werma.com). This printed copy is for information only and is subject to alteration.