

Midi free-standing Beacons / Rotating Mirror Beacon 885

Rotating Mirror Beacon BM 115-230VAC/DC



Part No.: 885.500.78



| MECHANICAL DATA | |
|------------------------------|-----------------------------|
| Height | 151 mm |
| Diameter | 98 mm |
| Materials | PC PC/ABS |
| Dome colour | Blue |
| Housing colour | Black |
| Protection category | IP65 |
| Connection | Screw terminals |
| cross-sectional area maximum | 1,50mm ² / 16AWG |
| Cable entry | Rubber pinch |
| Cable entry minimum | d = 5 mm |
| Cable entry maximum | d = 7 mm |
| Type of fixing | Base mounting |
| Service life optical | 5,000 h minimum |
| Working temperature minimum | -30°C |
| Working temperature maximum | +50°C |
| Weight with packaging | 410 g |
| Product weight | 358 g |

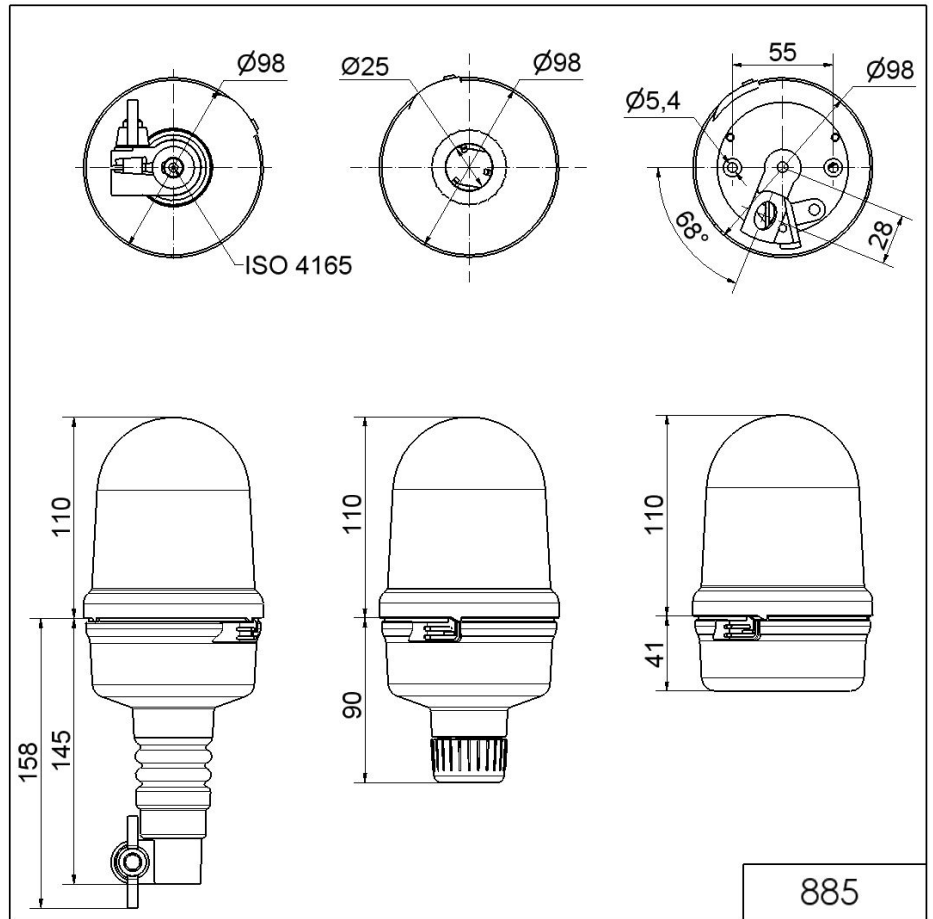
| ELECTRICAL DATA | |
|-----------------------------|------------------------------|
| Operating voltage | 115-230V |
| Operating voltage type | AC/DC |
| Operating voltage type | 50Hz at 230V 60Hz at 115V |
| Operating voltage tolerance | +/- 10% |
| Rated operational voltage | 230 VAC |
| Rated operational current | 400 mA |
| Rated inrush current | >10A |
| Protection class | Protection class 2 |
| Pollution degree | 3 |
| Overvoltage category | II |
| Isolation voltage | Ui = 250V; Uimp = 2.500V |

| OPTICAL DATA | |
|--------------------------|--------------|
| Light source | halogen bulb |
| Light colour | Blue |
| Rotation frequency (rpm) | 180 U/min |

! For additional installation and mounting information, refer to the appropriate user guide at www.werma.com. This printed copy is for information only and is subject to alteration.

Midi free-standing Beacons / Rotating Mirror Beacon 885
Rotating Mirror Beacon BM 115-230VAC/DC

DRAWING



For additional installation and mounting information, refer to the appropriate user guide at www.werma.com. This printed copy is for information only and is subject to alteration.