

Midi free-standing Beacons / Rotating Mirror Beacon 885

**Rotating Mirror Beacon RM 115-230VAC/DC**

Part No.: 885.110.78

**MECHANICAL DATA**

Height	200 mm
Diameter	98 mm
Materials	PC PC/ABS
Dome colour	Red
Housing colour	Black
Protection category	IP65
Connection	Screw terminals
cross-sectional area maximum	2,50mm <sup>2</sup> / 14AWG
Cable entry	Through hole
Cable entry maximum	d = 11 mm
Type of fixing	Tube mounting
Service life optical	5,000 h minimum
Working temperature minimum	-30°C
Working temperature maximum	+50°C
Weight with packaging	449 g
Product weight	381 g

**ELECTRICAL DATA**

Operating voltage	115-230V
Operating voltage type	AC/DC
Operating voltage type	50Hz at 230V 60Hz at 115V
Operating voltage tolerance	+/- 10%
Rated operational voltage	230 VAC
Rated operational current	400 mA
Rated inrush current	>10A
Protection class	Protection class 2
Pollution degree	3
Overvoltage category	II
Isolation voltage	Ui = 250V; Uimp = 2.500V

**OPTICAL DATA**

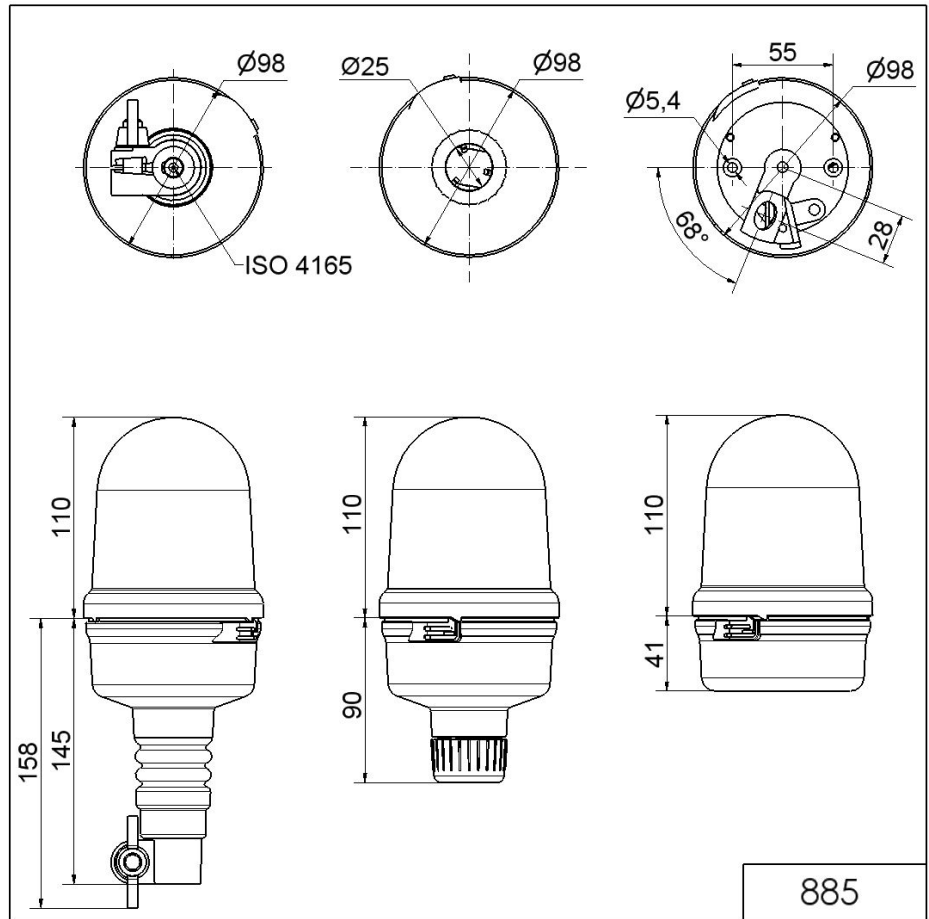
Light source	halogen bulb
Light colour	Red
Rotation frequency (rpm)	180 U/min



For additional installation and mounting information, refer to the appropriate user guide at [www.werma.com](http://www.werma.com). This printed copy is for information only and is subject to alteration.

Midi free-standing Beacons / Rotating Mirror Beacon 885  
**Rotating Mirror Beacon RM 115-230VAC/DC**

**DRAWING**



For additional installation and mounting information, refer to the appropriate user guide at [www.werma.com](http://www.werma.com). This printed copy is for information only and is subject to alteration.