

Maxi free-standing Beacons / Rotating Mirror Light 883

**Rotating Mirror Beacon BM 24VAC/DC YE**

Part No.: 883.300.75

**MECHANICAL DATA**

Height	218 mm
Diameter	142 mm
Materials	PC PC/ABS
Dome colour	Yellow
Housing colour	Black
Protection category	IP65
Connection	Screw terminals
cross-sectional area maximum	1,50mm <sup>2</sup> / 16AWG
Cable entry	Rubber pinch
Cable entry minimum	d = 5 mm
Cable entry maximum	d = 7 mm
Type of fixing	Base mounting
Service life optical	5,000 h minimum
Working temperature minimum	-30°C
Working temperature maximum	+50°C
Weight with packaging	706 g
Product weight	605 g

**ELECTRICAL DATA**

Operating voltage	24V
Operating voltage type	AC/DC
Operating voltage type	50Hz
Operating voltage tolerance	+/- 10%
Rated operational voltage	24 VDC
Rated operational current	1600 mA
Rated inrush current	1.600 mA
Protection class	Protection class 2
Pollution degree	3

**OPTICAL DATA**

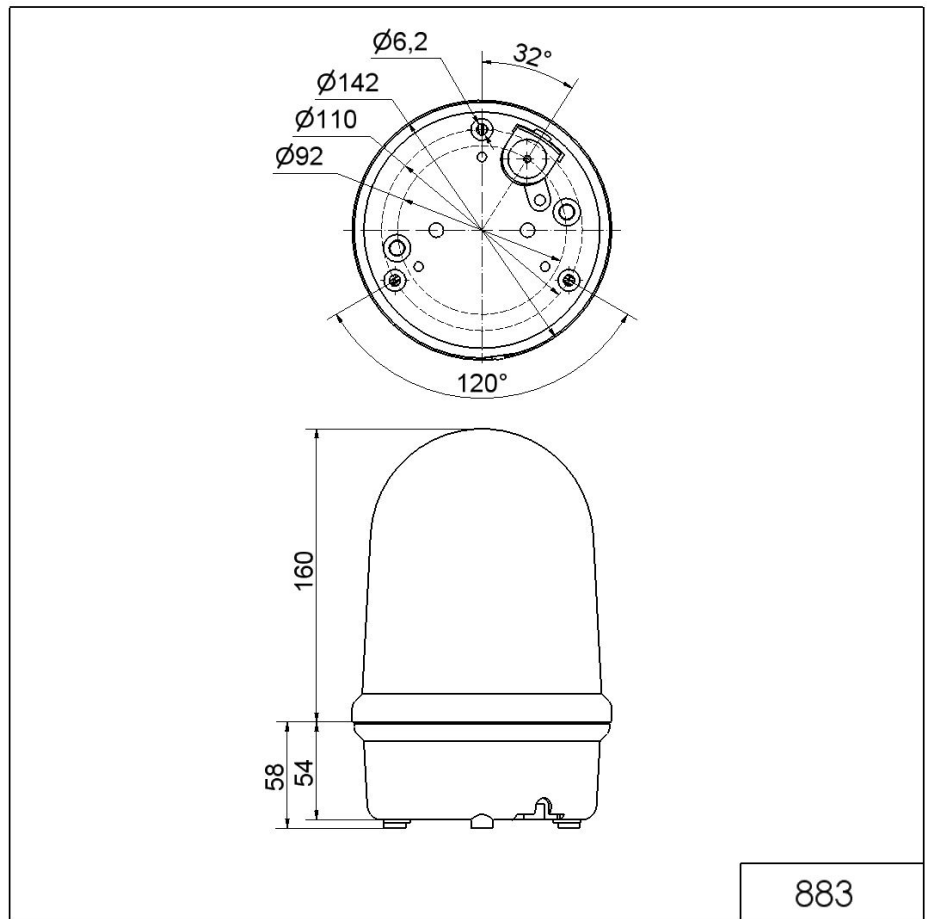
Light source	halogen bulb
Light colour	Yellow
Rotation frequency (rpm)	180 U/min



For additional installation and mounting information, refer to the appropriate user guide at [www.werma.com](http://www.werma.com). This printed copy is for information only and is subject to alteration.

Maxi free-standing Beacons / Rotating Mirror Light 883  
**Rotating Mirror Beacon BM 24VAC/DC YE**

**DRAWING**



883



For additional installation and mounting information, refer to the appropriate user guide at [www.werma.com](http://www.werma.com). This printed copy is for information only and is subject to alteration.