

EW 4820 (SSR) - EW 4822 (SSR)



Applications

The new Eliwell thermoregulators in the Universal Controller series are ideal for all industrial applications requiring high precision temperature control, ranging from the moulding of plastic materials and packaging to raw material transformation process control.

Common features

Front panel: IP65

Container: PC+ABS UL94 V-0 resin plastic casing, switch keys with adhesive polycarbonate film

Dimensions: front panel 48x48mm, depth 113mm

Installation: panel mounting with 45x45 mm (+0.2/-0.1 mm) drilling template

Operating temperature: -5...55°C

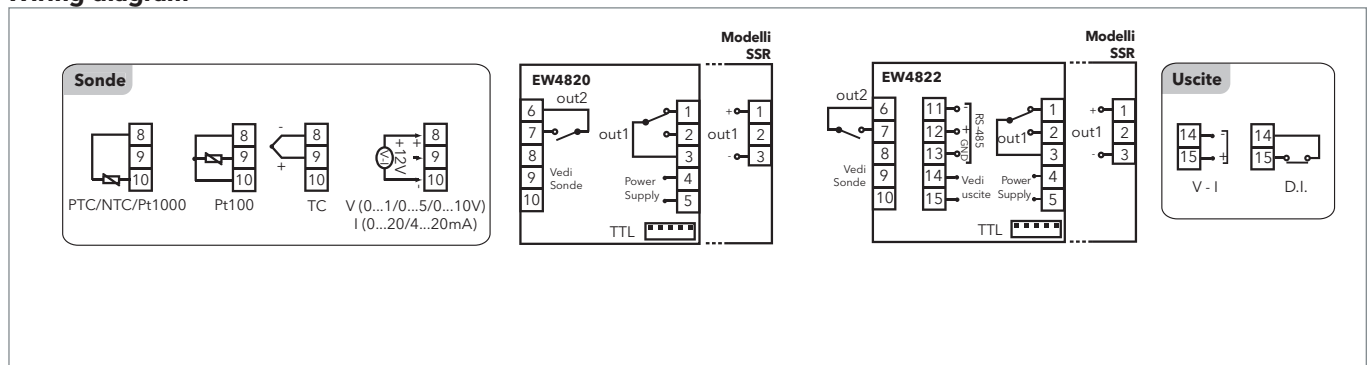
Storage temperature: -20...85°C

Ambient humidity for operation and storage: 10...90% RH (non-condensing)

General features	EW 4820 (SSR)	EW 4822 (SSR)
Display:	no decimal point * 2 4-digit displays + sign	no decimal point * 2 4-digit displays + sign
Analogue inputs:	1 input*(see Analogue Inputs table)	1 input*(see Analogue Inputs table)
Digital inputs:	not available	1 clean contact at extra low safety voltage
Connections:	TTL port for connection to Copy Card or Televis System	TTL port for connection to Copy Card or Televis System + internal RS-485 for connection to systems with ModBus protocol.
Digital outputs:	1 SPDT 3A 250V~ + 1 SPST 2A 250V~ Standard models Vout = 0...12Vc / Imax = 0...15mA / Vmin = 7.5V	1 SPDT 3A 250V~ + 1 SPST 2A 250V~ Standard models Vout = 0...12Vc / Imax = 0...15mA / Vmin = 7.5V
Analogue output:	not available	V: 0...1V, 0...5V, 0...10V I: 0...20mA, 4...20mA
Measurement range:	according to probe used	according to probe used
Accuracy:	according to probe used	according to probe used
Resolution:	according to probe used	according to probe used
Power consumption:	• 2.45W for model 12...24V~/12...36V~ • 2.40W for model 100...240V~	• 2.45W for model 12...24V~/12...36V~ • 2.40W for model 100...240V~
Power supply:	• 12...24V~/12...36V~ ±10% 50/60Hz • 100...240V~ ±10% 50/60Hz	• 12...24V~/12...36V~ ±10% 50/60Hz • 100...240V~ ±10% 50/60Hz

*(selectable by parameter)

Wiring diagram



Codes

p/n	description	Probe
E481BP0XBH700	EW 4820 Universal	Pt100
E481BI0XBH700	EW 4820 Universal	4...20mA
E481SI0XBN700	EW 4820 SSR output	4...20mA
E481SP0XBH700	EW 4820 SSR output	Pt100

Codes

p/n	description	Probe
E481BPISBH700	EW 4822 Universal	Pt100
E481BIISBH700	EW 4822 Universal	4...20mA
E481SPIXBH700	EW 4822 SSR output	Pt100