







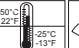

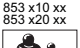


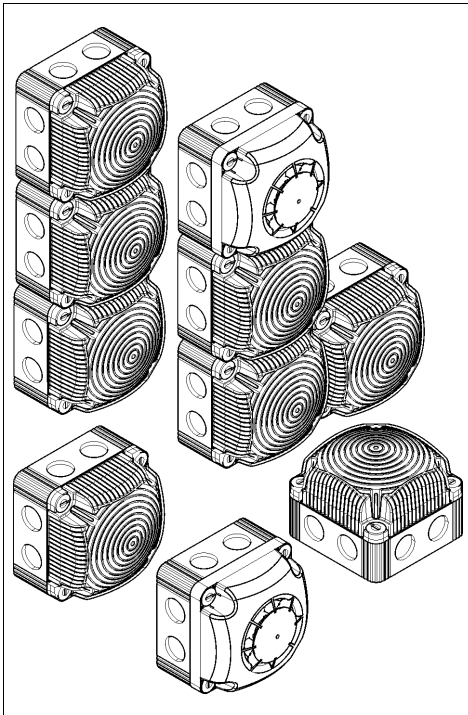
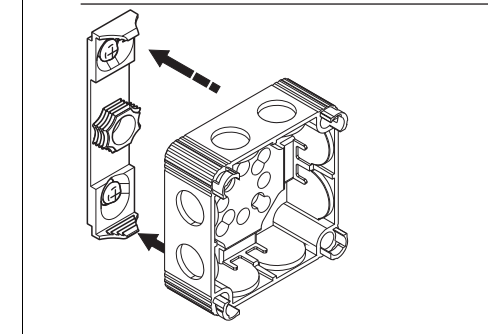
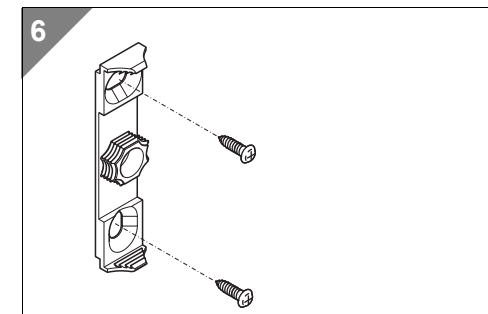
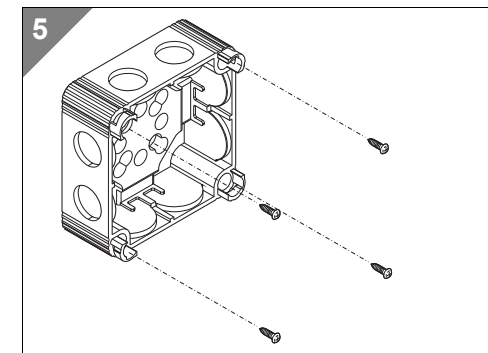
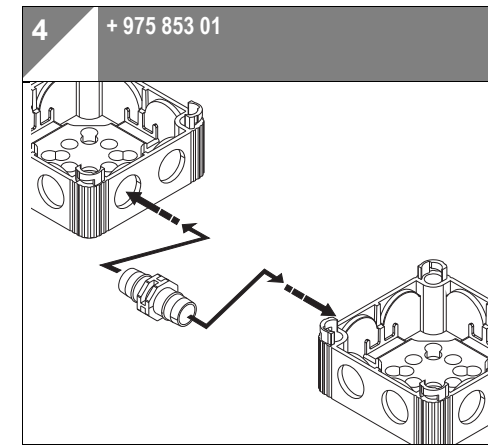
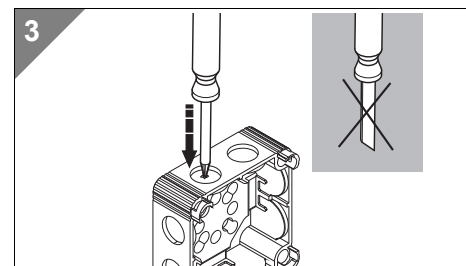
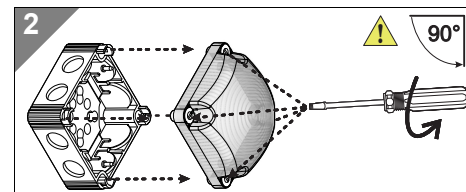
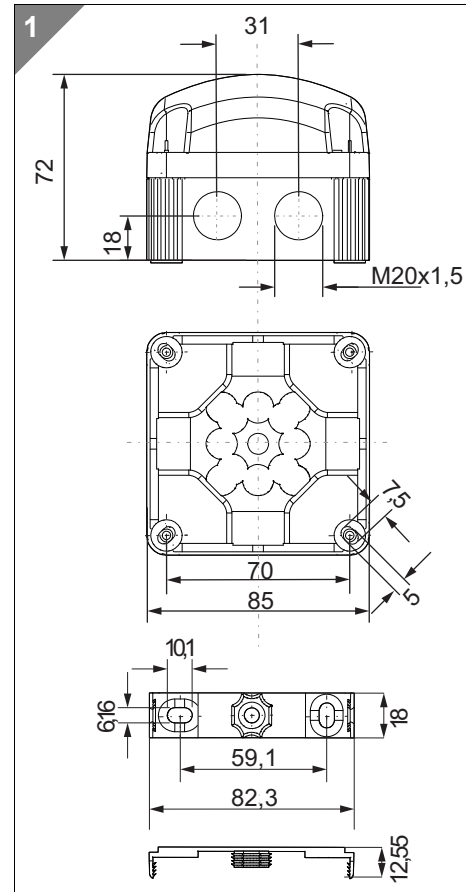
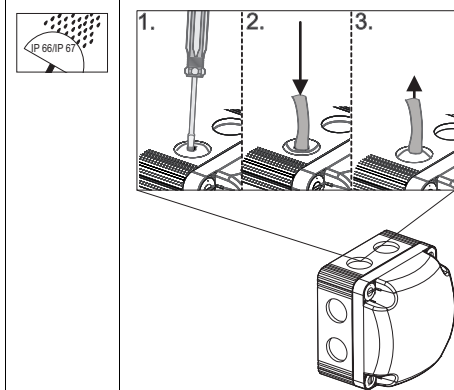
 <b>153</b>			
			
 <b>853</b>			
			

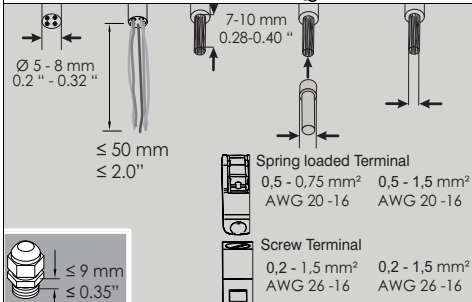
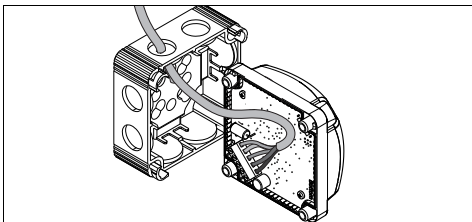


- (D) Anschluss **ausschließlich** durch ausgebildete Elektro-Fachkräfte.
- (GB) Electrical connection is to be made by trained electrical specialists **only**.
- (F) Le branchement doit **uniquement** être effectué par des professionnels.
- (I) Il collegamento deve essere eseguito **solo** da elettricisti specializzati.
- (E) La conexión **sólo** debe ser realizada por electricistas debidamente formados.
- (PT) A ligação deve ser feita **exclusivamente** por profissional elétrico especializado.
- (NL) De aansluiting mag **enkel** gebeuren door erkende vakmensen.
- (CZ) Připojení smí **provádět** pouze kvalifikovaný personál.
- (PL) Podłączenie **wyłącznie** przez specjalistów-elektryków.
- (FI) Liittäminen kuuluu **ainoastaan** koulutettujen sähköalan ammattilaisten tehtäviin.
- (RUS) Подключение проводится только специалистом-электриком.
- (TR) Bağlantı **sadece** eğitimli elektrik teknisyenleri tarafından yapılmalıdır.
- (CN) 布线需由专业电工执行

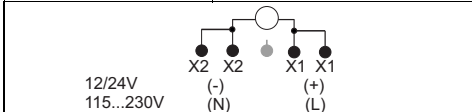
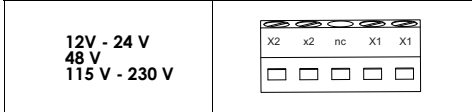


**7a** LED 853

**⚠ DANGER**



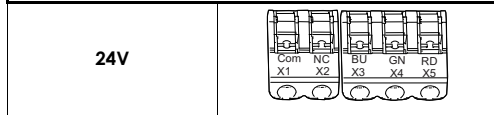
**LED (853 x20 xx)**



**Leuchtbild, Light effect, Effet lumineux**

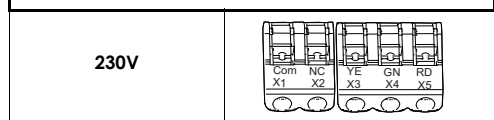
Dauerleuchte/Permanent/Feu fixe	
853 x00 54	12 VDC, ≤ 180 mA, I <sub>0</sub> < 1250 mA
853 x00 55	24 VDC, ≤ 80 mA, I <sub>0</sub> < 500 mA
853 x00 66	48 VAC, ≤ 35 mA, I <sub>0</sub> < 200 mA
853 x00 60	115-230VAC, ≤ 40 mA, I <sub>0</sub> < 7 A
Doppelblitz/Double Flash/Double Flash	
853 x10 54	12 VDC, ≤ 100 mA, I <sub>0</sub> < 1250 mA
853 x10 55	24 VDC, ≤ 80 mA, I <sub>0</sub> < 500 mA
853 x10 66	48 VAC, ≤ 90 mA, I <sub>0</sub> < 2 A
853 x10 60	115-230 VAC, ≤ 180 mA, I <sub>0</sub> < 7 A
EVS	
853 x20 54	12 VDC, ≤ 400 mA, I <sub>0</sub> < 1250 mA
853 x20 55	24 VDC, ≤ 200 mA, I <sub>0</sub> < 500 mA
853 x20 66	48 VAC, ≤ 95 mA, I <sub>0</sub> < 2 A
853 x20 60	115-230 VAC, ≤ 180 mA, I <sub>0</sub> < 7 A

**LED-Multicolour (853 480 55)**



Colour	Technical Data
RD	80mA/ ~1,9 W
GN	70 mA/ ~1,7W
YE	115mA/ ~ 2,7 W
WH	130mA/ ~ 3,4W
BU	70mA/ ~ 1,7 W
VIO	125mA/ ~ 3W
CYN	120mA/ ~ 2,9W

**LED-RGY ( 853 480 60)**

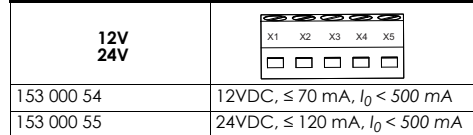


Colour	115 V		230 V
	50 Hz	60 Hz	50 Hz
RD	14mA/ 0,55W	17mA/ 0,55W	22mA/ 1,15W
YE	20mA/ 0,94W	24mA/ 0,94	35mA/ 2W
GN	14mA/ 0,65W	17mA/ 0,65W	23mA/ 1,4W

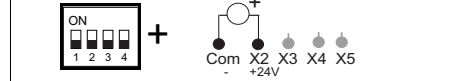
**7b** Sounder 153

**⚠ WARNING**

**Sounder 153 000 54**  
**153 000 55**

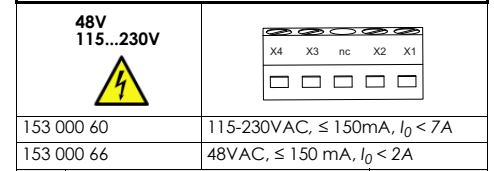


Tone	Tone Type	Frequencies
1	Dauerton Continuous continu	~ 3000 Hz
5	ansteigend rising montant	~ 800- 970Hz @ 1Hz
6	ansteigend rising montant	~2400-2850 Hz @ 7 Hz
7	abfallend falling incline	1200-500 Hz @ 1 Hz
P	Volume max. = off Volume - 10 dB = on	



Tone	Code	Tone Type	Frequencies
1	<b>000x</b>	Dauerton Continuous continu	~ 3000 Hz
2	<b>001x</b>	Hupenton horn tone trompe	~ 110 Hz
3	<b>010x</b>	1Hz Ton 1Hz tone 1Hz ton	~ 3000 Hz
4	<b>011x</b>	20 Hz Trillerton 20 Hz whistle tone 20 Hz trille	~ 3000 Hz
5	<b>100x</b>	ansteigend rising montant	~ 800- 970Hz @ 2Hz
6	<b>101x</b>	ansteigend rising montant	~2400-2850 Hz @ 7 Hz
7	<b>110x</b>	abfallend falling incline	1200-500 Hz @ 0,7 Hz
8	<b>111x</b>	alternierend alternatig alternant	800/1200 Hz @ 1 Hz
P	<b>xxx1</b>	Volume max. = off Volume - 10 dB = on	

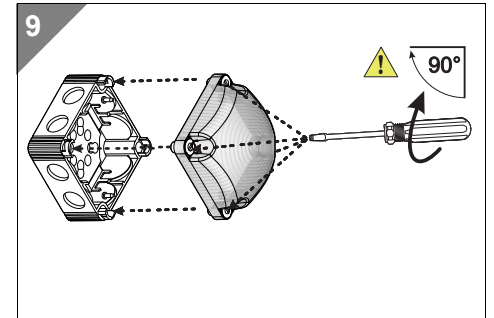
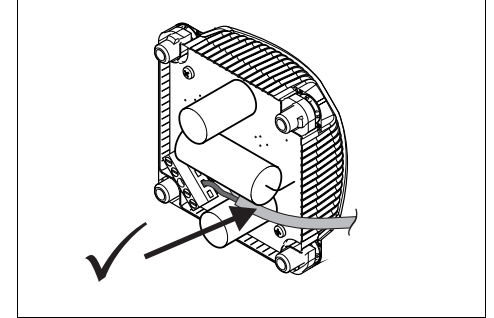
**Sounder 153 000 60**  
**153 000 66**



Tone	Tone Type	Frequencies
1	Dauerton Continuous continu	~ 3000 Hz
P	Volume max. = off Volume - 10 dB = on	

**NOTICE**

**8** 853 x10 60, 853 x10 66  
853 x20 60, 853 x20 66  
153 000 60, 153 000 66



310.853.001.0516AK