

Midi free-standing Beacons / Permanent Light 850
Permanent Beacon BM 12-230VAC/DC CL



Part No.: 850.400.38



MECHANICAL DATA	
Height	87 mm
Diameter	57 mm
Materials	PC PC/ABS
Dome colour	Clear
Housing colour	Grey
Protection category	IP33
Connection	Screw terminals
cross-sectional area minimum	0,50mm ² / 20AWG
cross-sectional area maximum	1,50mm ² / 16AWG
Cable entry	Through hole
Cable entry maximum	d = 9 mm
Type of fixing	Base mounting
Service life optical	depends on bulb
Working temperature minimum	-30°C
Working temperature maximum	+40°C
Weight with packaging	70 g
Product weight	70 g

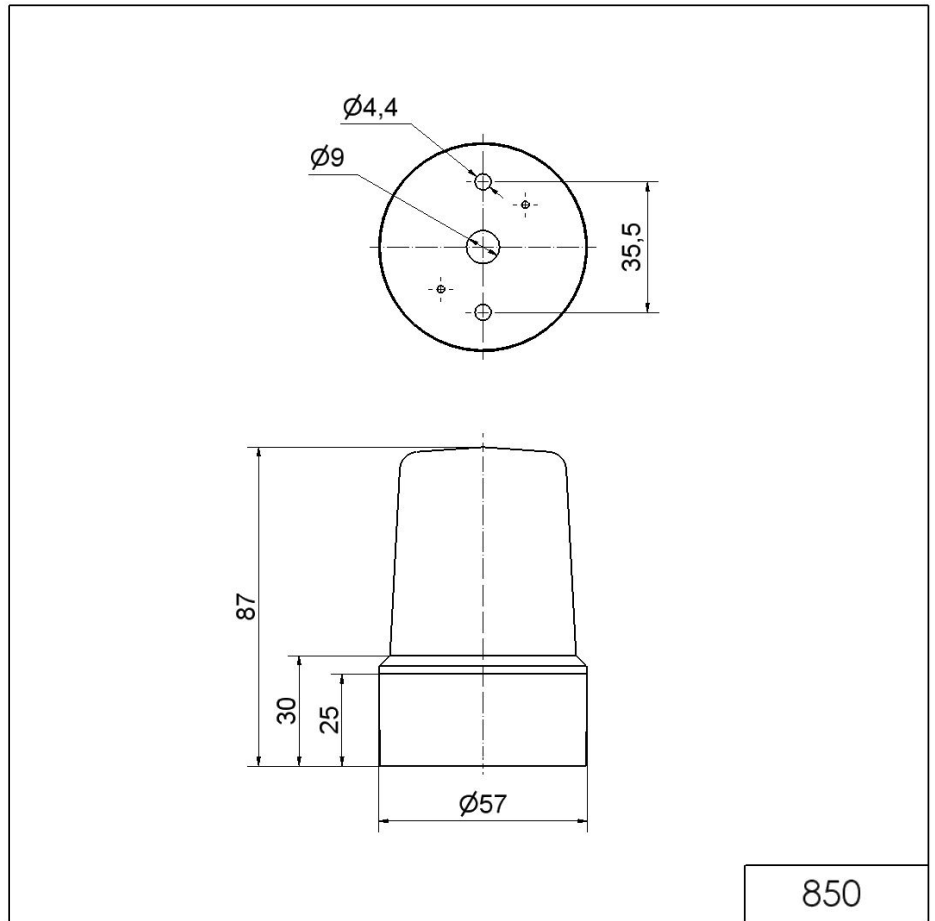
ELECTRICAL DATA	
Operating voltage	12-230V
Operating voltage type	AC/DC
Protection class	Protection class 2
Pollution degree	2
Overvoltage category	II
Isolation voltage	Ui = 250V; Uimp = 2.500V

OPTICAL DATA	
Light colour	White
Lamp fitting/socket	B15d

! For additional installation and mounting information, refer to the appropriate user guide at www.werma.com. This printed copy is for information only and is subject to alteration.

Midi free-standing Beacons / Permanent Light 850
Permanent Beacon BM 12-230VAC/DC CL

DRAWING



850



For additional installation and mounting information, refer to the appropriate user guide at www.werma.com. This printed copy is for information only and is subject to alteration.