

## Heavy-Duty Beacons / LED Permanent Beacon

### LED Perm. Beacon BM 12-50VDC RD



Part No.: 839.100.55



#### MECHANICAL DATA

Height	189 mm
Diameter	153 mm
Materials	Aluminium PC
Dome colour	Red
Housing colour	Black
Protection category	IP66 IP67
Connection	Screw terminals
cross-sectional area maximum	1,50mm <sup>2</sup> / 16AWG
Cable entry	Screwed cable gland
Cable entry minimum	d = 6 mm
Cable entry maximum	d = 13 mm
Tension relief	Present (conforms to VDI)
Type of fixing	Base mounting
Service life optical	50,000 h maximum
Working temperature minimum	-30°C
Working temperature maximum	+50°C
Weight with packaging	1419 g
Product weight	1269 g

#### ELECTRICAL DATA

Operating voltage	12-50V
Operating voltage type	DC
Operating voltage tolerance	+/- 0%
Rated operational voltage	24 VDC
Rated operational current	500 mA
Rated inrush current	2.000 mA
Protection class	Protection class 2
Pollution degree	3

#### OPTICAL DATA

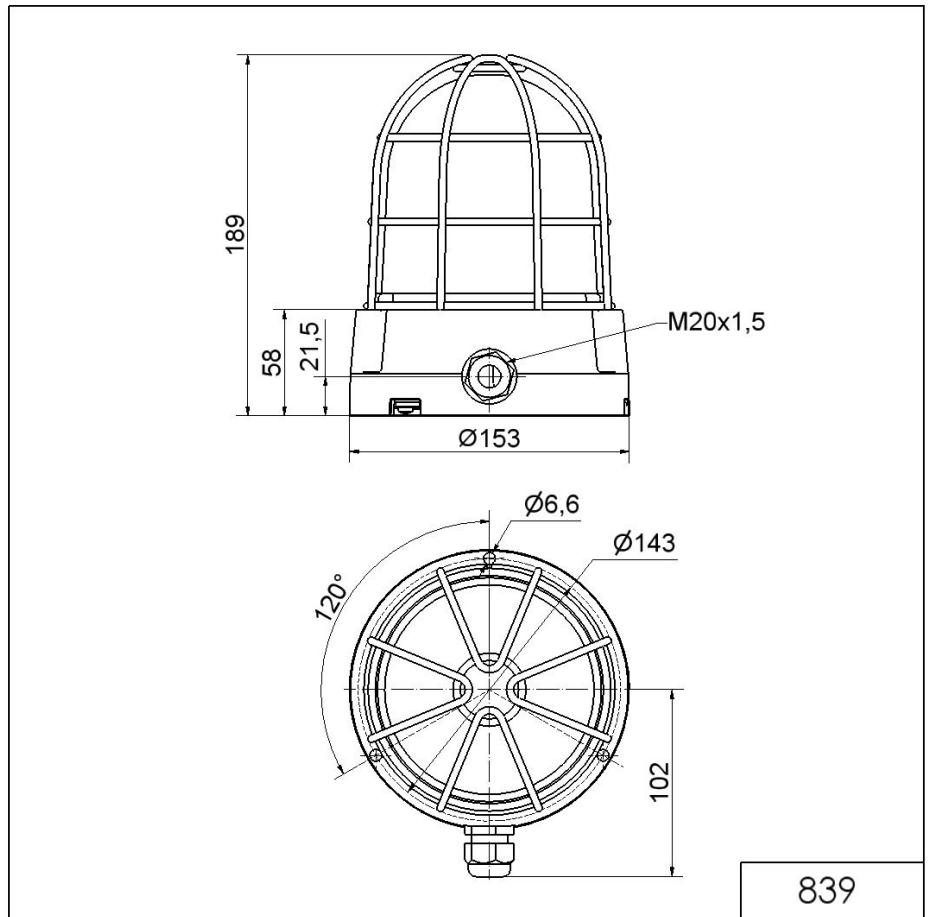
Light source	LED
Light colour	Red
Optical signal image	Permanent



For additional installation and mounting information, refer to the appropriate user guide at [www.werma.com](http://www.werma.com). This printed copy is for information only and is subject to alteration.

Heavy-Duty Beacons / LED Permanent Beacon  
**LED Perm. Beacon BM 12-50VDC RD**

**DRAWING**



! For additional installation and mounting information, refer to the appropriate user guide at [www.werma.com](http://www.werma.com). This printed copy is for information only and is subject to alteration.