

Midi free-standing Beacons / Flash Light 830

Flashing Beacon BM 24VDC GN



Part No.: 830.252.55



MECHANICAL DATA	
Height	133 mm
Diameter	108 mm
Materials	PC PC/ABS
Dome colour	Green
Housing colour	Grey
Protection category	IP54
Connection	Screw terminals
cross-sectional area maximum	2,50mm ² / 14AWG
Cable entry	Rubber pinch
Cable entry minimum	d = 5 mm
Cable entry maximum	d = 7 mm
Type of fixing	Base mounting
Service life optical	4 million flashes minimum
Working temperature minimum	-20°C
Working temperature maximum	+40°C
Weight with packaging	310 g
Product weight	220 g

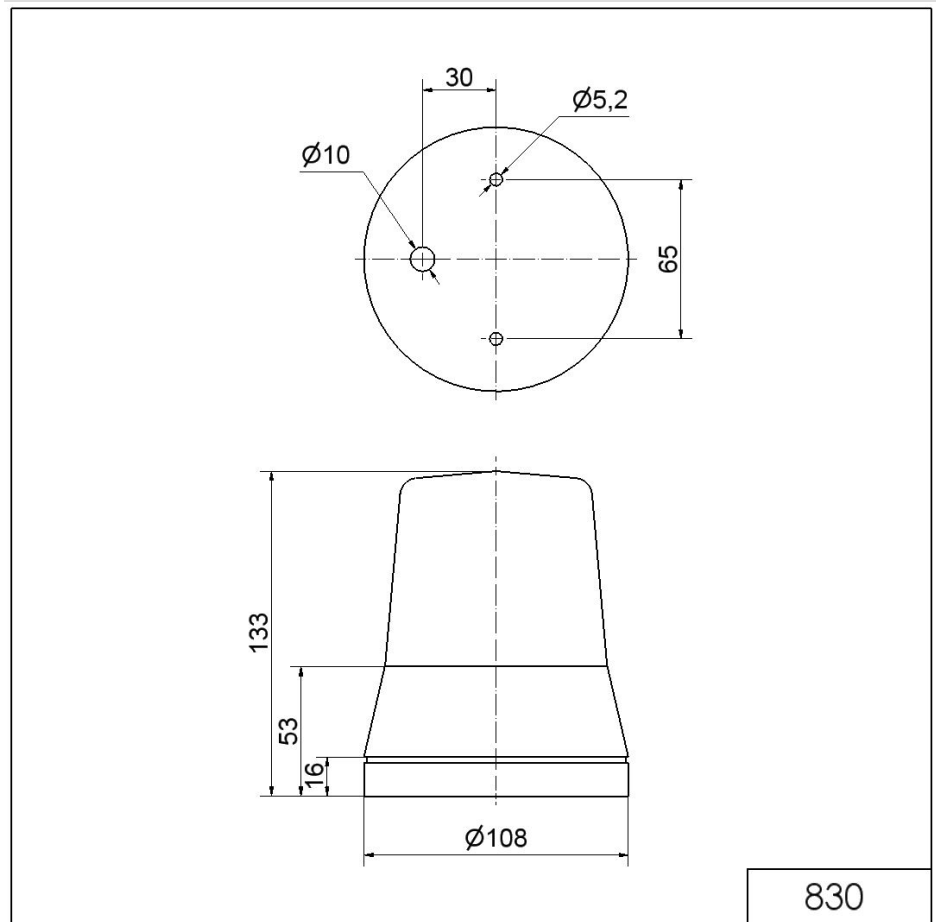
ELECTRICAL DATA	
Operating voltage	24V
Operating voltage type	DC
Operating voltage tolerance	+/- 10%
Rated operational voltage	24 VDC
Rated operational current	250 mA
Rated inrush current	300 mA
Protection class	Protection class 2
Pollution degree	3

OPTICAL DATA	
Light source	Xenon
Light colour	Green
Optical signal image	Flash
Flash frequency	1 Hz
Flash output	5 J

! For additional installation and mounting information, refer to the appropriate user guide at www.werma.com. This printed copy is for information only and is subject to alteration.

Midi free-standing Beacons / Flash Light 830
Flashing Beacon BM 24VDC GN

DRAWING



For additional installation and mounting information, refer to the appropriate user guide at www.werma.com. This printed copy is for information only and is subject to alteration.