

Obstruction lights / LED Obstruction Light 280
LED Obstruction light BM 230VAC RD



Part No.: 280.410.68



| MECHANICAL DATA | |
|------------------------------|-----------------------------|
| Height | 218 mm |
| Diameter | 142 mm |
| Materials | PC PC/ABS |
| Dome colour | Clear |
| Housing colour | Black |
| Protection category | IP65 |
| Connection | Screw terminals |
| cross-sectional area maximum | 2,50mm ² / 14AWG |
| Cable entry | Rubber pinch |
| Cable entry minimum | d = 5 mm |
| Cable entry maximum | d = 7 mm |
| Type of fixing | Base mounting |
| Service life optical | 50,000 h maximum |
| Working temperature minimum | -30°C |
| Working temperature maximum | +50°C |
| Weight with packaging | 562 g |
| Product weight | 432 g |

| ELECTRICAL DATA | |
|-----------------------------|--------------------------|
| Operating voltage | 230V |
| Operating voltage type | AC |
| Operating voltage type | 50Hz |
| Operating voltage tolerance | +/- 10% |
| Rated operational voltage | 230 VAC |
| Rated operational current | 50 mA |
| Rated inrush current | 2.000 mA |
| Protection class | Protection class 2 |
| Pollution degree | 3 |
| Overvoltage category | II |
| Isolation voltage | Ui = 250V; Uimp = 2.500V |

| OPTICAL DATA | |
|----------------------|-----------|
| Light source | LED |
| Light colour | Red |
| Optical signal image | Permanent |

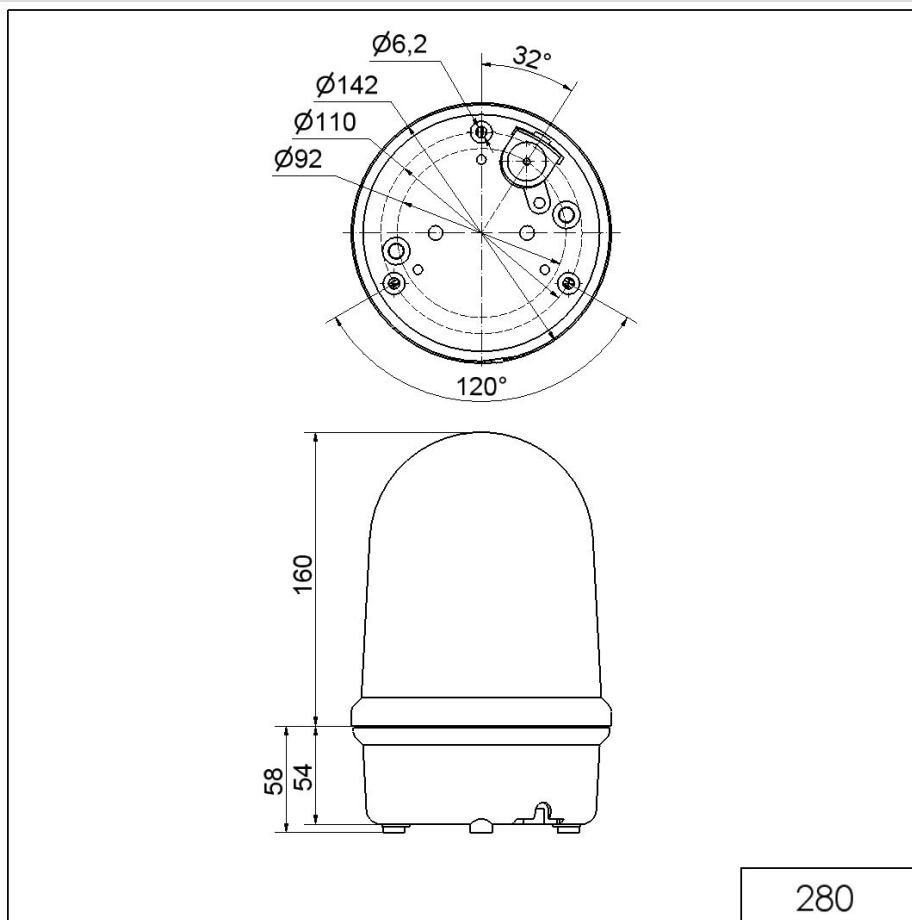


For additional installation and mounting information, refer to the appropriate user guide at www.werma.com. This printed copy is for information only and is subject to alteration.

Obstruction lights / LED Obstruction Light 280

LED Obstruction light BM 230VAC RD

DRAWING



For additional installation and mounting information, refer to the appropriate user guide at www.werma.com. This printed copy is for information only and is subject to alteration.