

Maxi free-standing Beacons / LED-Permanent Light 280
LED Perm. Beacon BM 12-50VDC YE



Part No.: 280.300.55



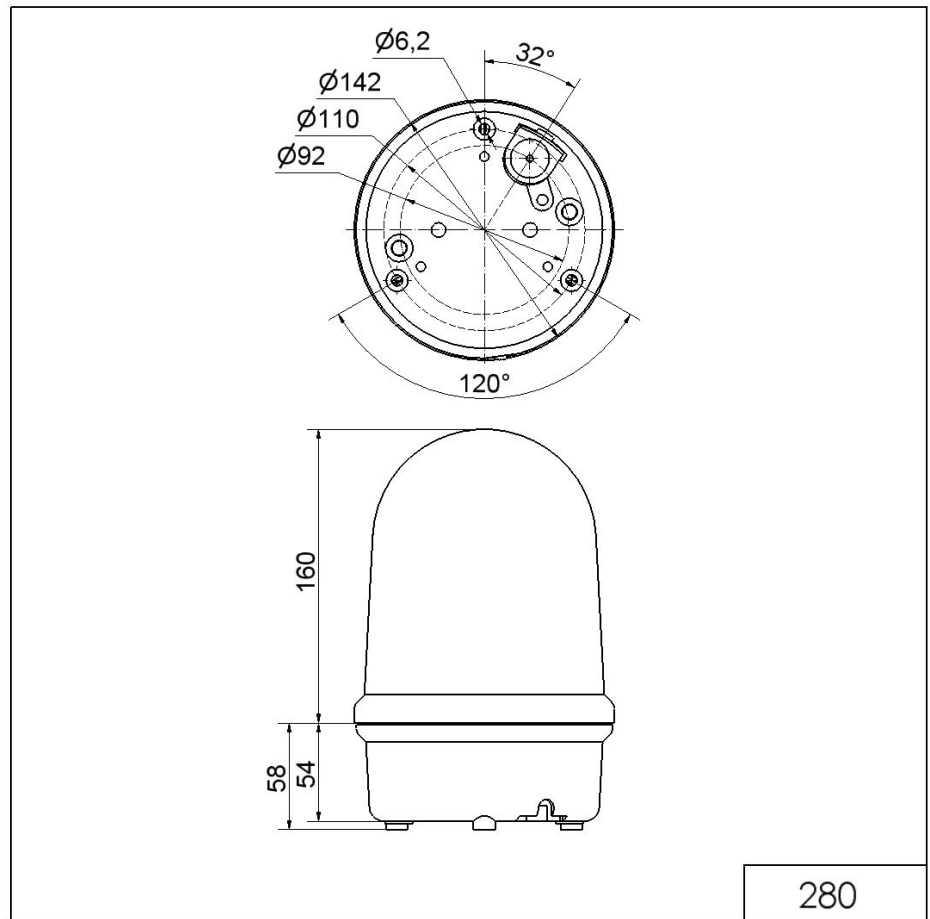
MECHANICAL DATA	
Height	218 mm
Diameter	142 mm
Materials	PC PC/ABS
Dome colour	Yellow
Housing colour	Black
Protection category	IP65
Connection	Screw terminals
cross-sectional area maximum	2,50mm ² / 14AWG
Cable entry	Rubber pinch
Cable entry minimum	d = 5 mm
Cable entry maximum	d = 7 mm
Type of fixing	Base mounting
Service life optical	50,000 h maximum
Working temperature minimum	-30°C
Working temperature maximum	+50°C
Weight with packaging	636 g
Product weight	541 g
ELECTRICAL DATA	
Operating voltage	12-50V
Operating voltage type	DC
Operating voltage tolerance	+/- 0%
Rated operational voltage	24 VDC
Rated operational current	500 mA
Rated inrush current	2.000 mA
Protection class	Protection class 2
Pollution degree	3
OPTICAL DATA	
Light source	LED
Light colour	Yellow
Optical signal image	Permanent

! For additional installation and mounting information, refer to the appropriate user guide at www.werma.com. This printed copy is for information only and is subject to alteration.

Maxi free-standing Beacons / LED-Permanent Light 280

LED Perm. Beacon BM 12-50VDC YE

DRAWING



! For additional installation and mounting information, refer to the appropriate user guide at www.werma.com. This printed copy is for information only and is subject to alteration.