

Mini installation beacon / AS-i LED Beacon (Multicolour) 239
LED Beacon EM 24VDC MC


Part No.: 239.482.55

**MECHANICAL DATA**

Height	78 mm
Diameter	50 mm
Materials	PC PC/ABS
Dome colour	Clear
Housing colour	Black
Protection category	IP65
Connection	Push-in terminal
cross-sectional area minimum	0,09mm ² / 28AWG
cross-sectional area maximum	1,50mm ² / 16AWG
Type of fixing	Built-in mounting
Service life optical	50,000 h maximum
Working temperature minimum	-20°C
Working temperature maximum	+50°C
Weight with packaging	1 g
Product weight	1 g

ELECTRICAL DATA

Operating voltage	24V
Operating voltage type	DC
Operating voltage tolerance	+/- 10%
Rated operational voltage	24 VDC
Rated operational current	75 mA
Rated inrush current	500 mA
Protection class	Protection class 2
Pollution degree	3 In the connection area: 2

OPTICAL DATA

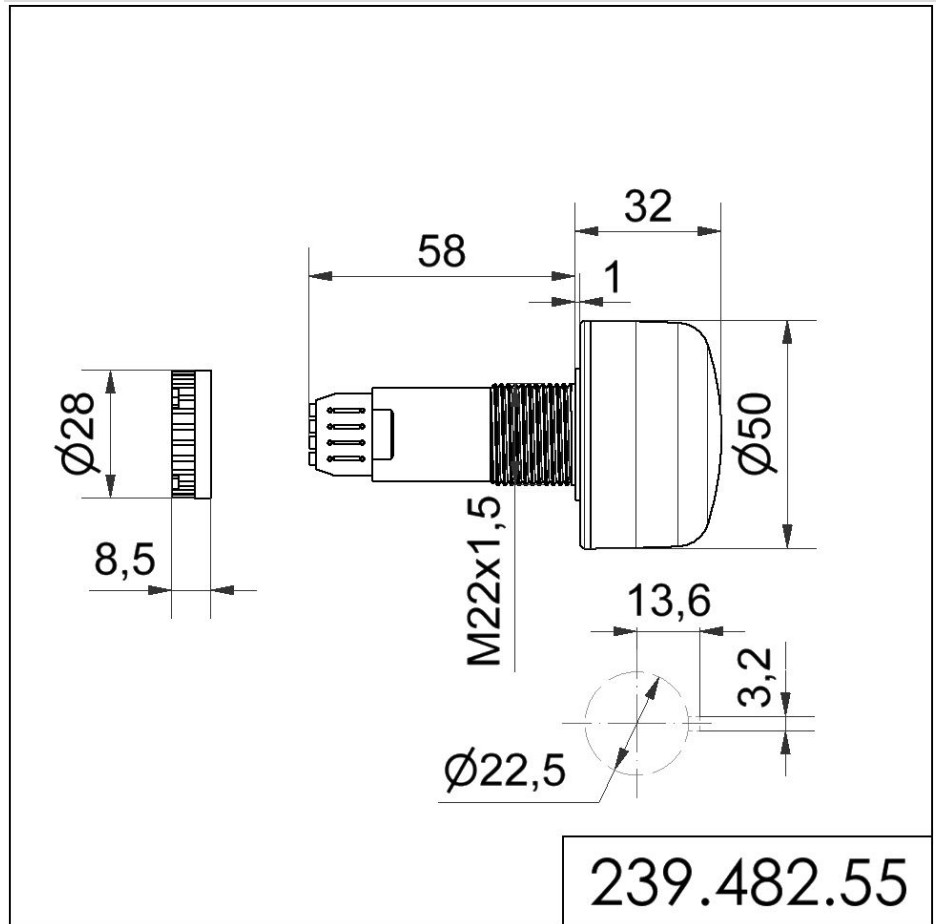
Light source	LED
Light colour	Multicolour
Optical signal image	Permanent



For additional installation and mounting information, refer to the appropriate user guide at www.werma.com. This printed copy is for information only and is subject to alteration.

Mini installation beacon / AS-i LED Beacon (Multicolour) 239
LED Beacon EM 24VDC MC

DRAWING



! For additional installation and mounting information, refer to the appropriate user guide at www.werma.com. This printed copy is for information only and is subject to alteration.