

Micro installation beacon / LED Installation Beacon 230
LED Perm. Beacon EM 24VDC CL



Part No.: 230.400.55



| MECHANICAL DATA | |
|-----------------------------|-------------------|
| Height | 154 mm |
| Diameter | 29 mm |
| Materials | PC PC/ABS |
| Dome colour | Clear |
| Housing colour | Black |
| Protection category | IP65 |
| Connection | Cable |
| Cable length | 115 mm |
| Type of fixing | Built-in mounting |
| Service life optical | 100,000 h maximum |
| Working temperature minimum | -20°C |
| Working temperature maximum | +50°C |
| UL Type Rating | Type 12 |
| Weight with packaging | 17 g |
| Product weight | 12 g |

| ELECTRICAL DATA | |
|-----------------------------|--------------------------------|
| Operating voltage | 24V |
| Operating voltage type | DC |
| Operating voltage tolerance | +/- 10% |
| Rated operational voltage | 24 VDC |
| Rated operational current | 45 mA |
| Rated inrush current | 500 mA |
| Protection class | Protection class 2 |
| Pollution degree | 3 In the connection area: 2 |

| OPTICAL DATA | |
|----------------------|-----------|
| Light source | LED |
| Light colour | White |
| Optical signal image | Permanent |

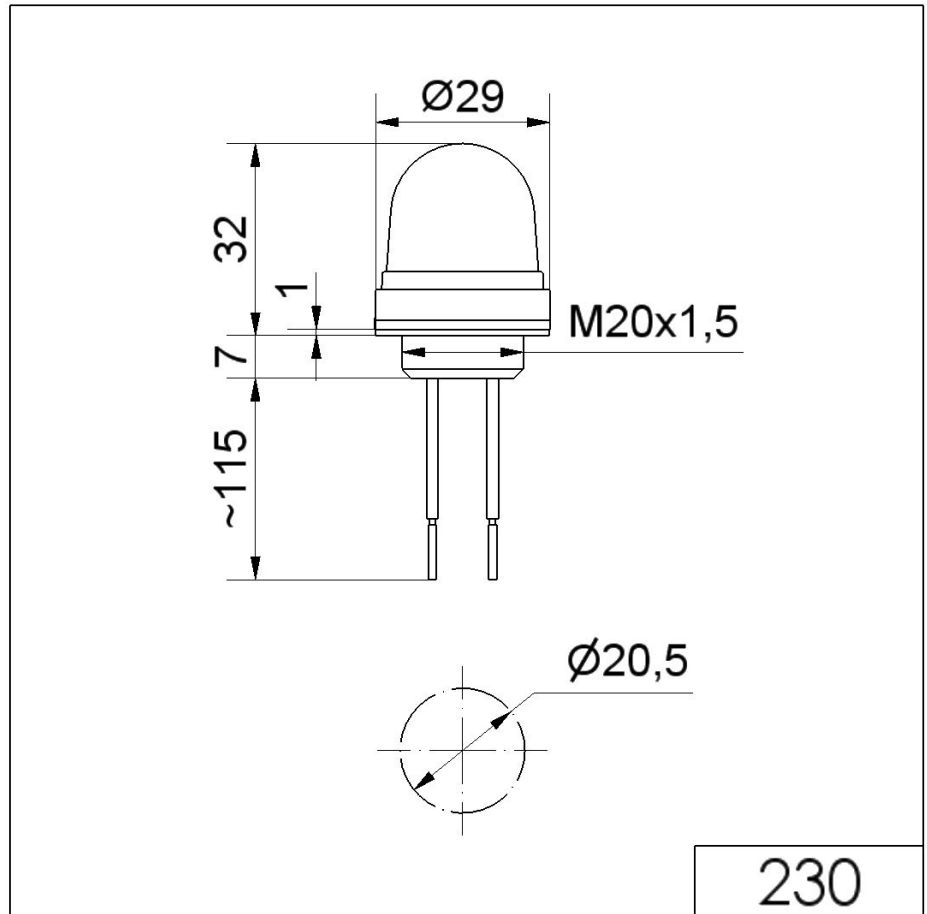


For additional installation and mounting information, refer to the appropriate user guide at www.werma.com. This printed copy is for information only and is subject to alteration.

Micro installation beacon / LED Installation Beacon 230

LED Perm. Beacon EM 24VDC CL

DRAWING



! For additional installation and mounting information, refer to the appropriate user guide at www.werma.com. This printed copy is for information only and is subject to alteration.