

Mini free-standing Beacons / Flash Light 225  
**Flashing Beacon WM 24VDC RD**



Part No.: 225.100.55

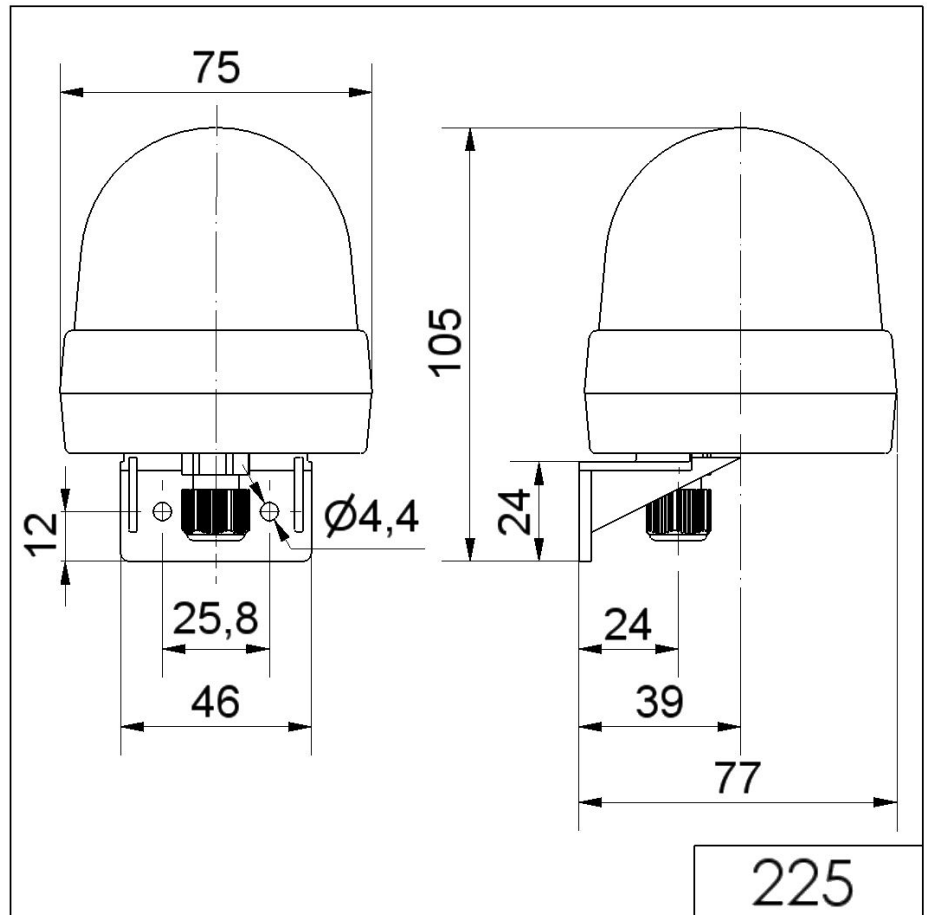


| MECHANICAL DATA              |                             |
|------------------------------|-----------------------------|
| Height                       | 105 mm                      |
| Diameter                     | 75 mm                       |
| Materials                    | PA-GF<br>PC<br>PC/ABS       |
| Dome colour                  | Red                         |
| Housing colour               | Black                       |
| Protection category          | IP65                        |
| Connection                   | Spring-type terminal        |
| cross-sectional area maximum | 2,50mm <sup>2</sup> / 14AWG |
| Cable entry                  | Screwed cable gland         |
| Cable entry minimum          | d = 3 mm                    |
| Cable entry maximum          | d = 6 mm                    |
| Tension relief               | Present (conforms to VDI)   |
| Type of fixing               | Wall mounting               |
| Service life optical         | 4 million flashes minimum   |
| Working temperature minimum  | -20°C                       |
| Working temperature maximum  | +50°C                       |
| UL Type Rating               | Type 12                     |
| Weight with packaging        | 160 g                       |
| Product weight               | 127 g                       |
| ELECTRICAL DATA              |                             |
| Operating voltage            | 24V                         |
| Operating voltage type       | DC                          |
| Operating voltage tolerance  | +/- 10%                     |
| Rated operational voltage    | 24 VDC                      |
| Rated operational current    | 100 mA                      |
| Rated inrush current         | 500 mA                      |
| Protection class             | Protection class 2          |
| Pollution degree             | 3                           |
| OPTICAL DATA                 |                             |
| Light source                 | Xenon                       |
| Light colour                 | Red                         |
| Optical signal image         | Flash                       |
| Flash frequency              | 0.75 Hz                     |
| Flash output                 | 1 J                         |

! For additional installation and mounting information, refer to the appropriate user guide at [www.werma.com](http://www.werma.com). This printed copy is for information only and is subject to alteration.

Mini free-standing Beacons / Flash Light 225  
**Flashing Beacon WM 24VDC RD**

DRAWING



! For additional installation and mounting information, refer to the appropriate user guide at [www.werma.com](http://www.werma.com). This printed copy is for information only and is subject to alteration.