

Mini free-standing Beacons / LED-Permanent Light 209

**LED Perm. Beacon RM 115VAC YE**



Part No.: 209.310.67



MECHANICAL DATA	
Height	103 mm
Diameter	58 mm
Materials	PA-GF PC
Dome colour	Yellow
Housing colour	Black
Protection category	IP65
Connection	Spring-type terminal
cross-sectional area maximum	2,50mm <sup>2</sup> / 14AWG
Cable entry	Through hole
Cable entry maximum	d = 10 mm
Type of fixing	Tube mounting
Service life optical	100,000 h maximum
Working temperature minimum	-20°C
Working temperature maximum	+50°C
UL Type Rating	Type 12
Weight with packaging	100 g
Product weight	77 g

ELECTRICAL DATA	
Operating voltage	115V
Operating voltage type	AC
Operating voltage type	60Hz
Operating voltage tolerance	+/- 10%
Rated operational voltage	115 VAC
Rated operational current	25 mA
Rated inrush current	500 mA
Protection class	Protection class 2
Pollution degree	3
Overvoltage category	II
Isolation voltage	Ui = 250V; Uimp = 2.500V

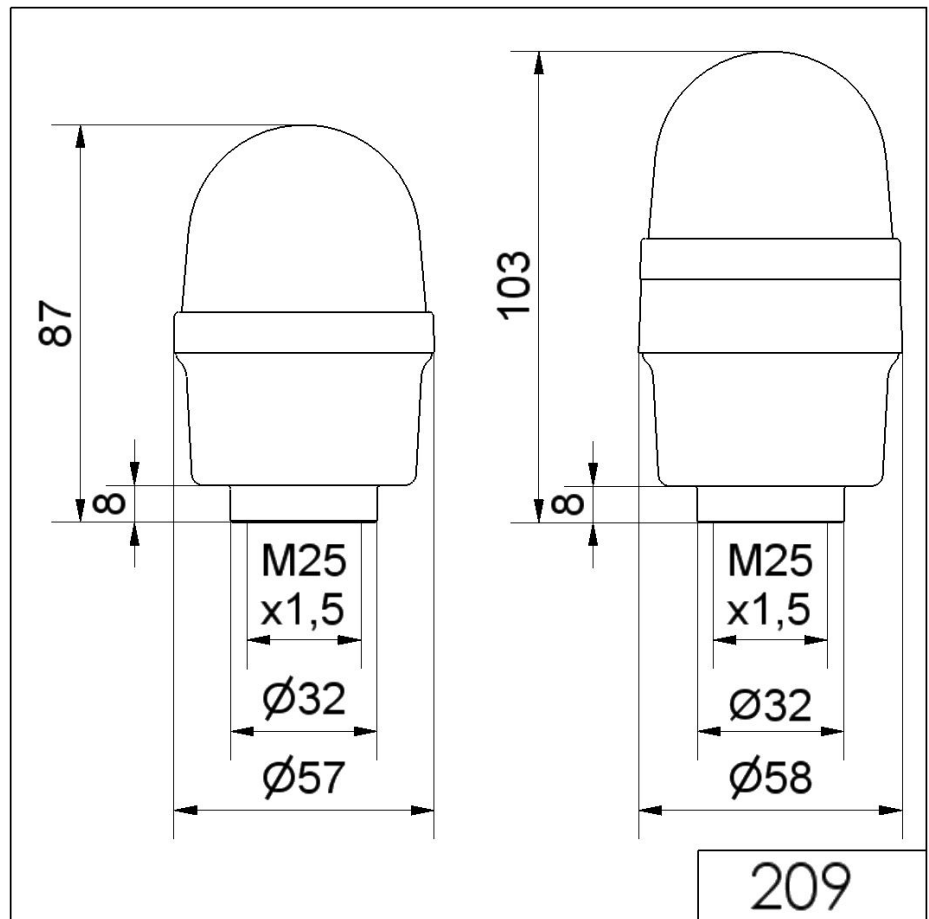
OPTICAL DATA	
Light source	LED
Light colour	Yellow
Optical signal image	Permanent

! For additional installation and mounting information, refer to the appropriate user guide at [www.werma.com](http://www.werma.com). This printed copy is for information only and is subject to alteration.

Mini free-standing Beacons / LED-Permanent Light 209

**LED Perm. Beacon RM 115VAC YE**

**DRAWING**



! For additional installation and mounting information, refer to the appropriate user guide at [www.werma.com](http://www.werma.com). This printed copy is for information only and is subject to alteration.