

Mini free-standing Beacons / Flash Light 205

Flashing Beacon WM 24VDC RD



Part No.: 205.100.55

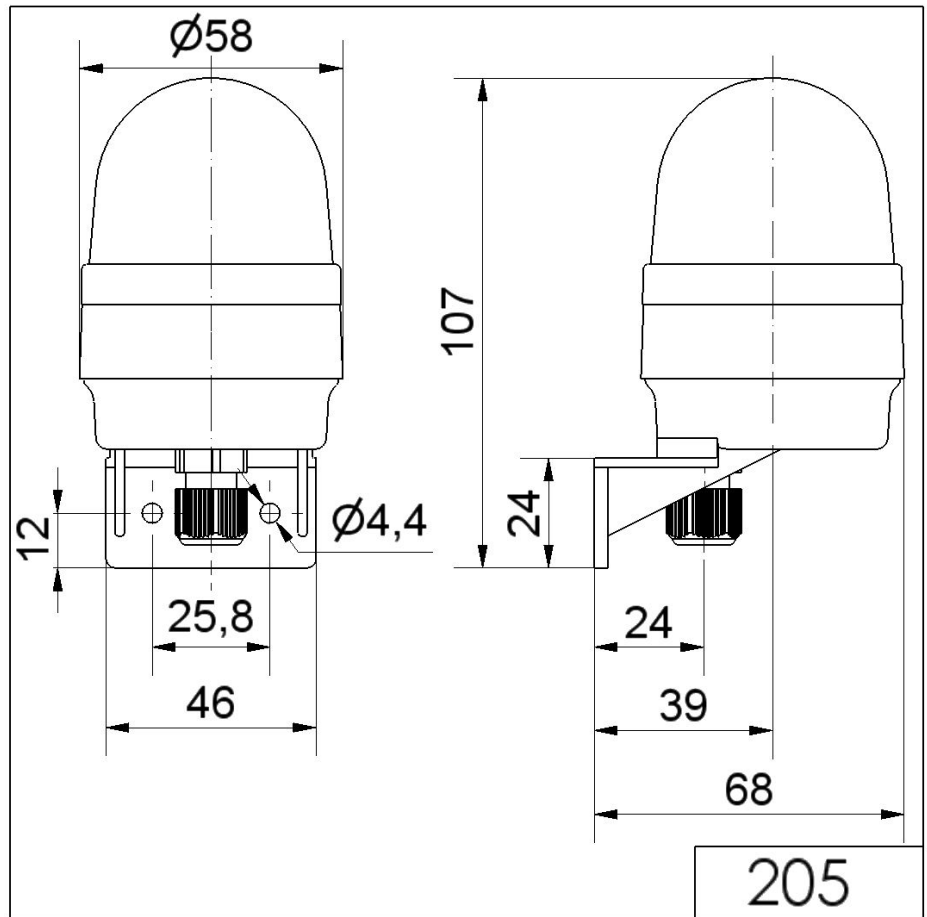


| MECHANICAL DATA | |
|------------------------------|-----------------------------|
| Height | 107 mm |
| Diameter | 58 mm |
| Materials | PA-GF PC |
| Dome colour | Red |
| Housing colour | Black |
| Protection category | IP65 |
| Connection | Spring-type terminal |
| cross-sectional area maximum | 2,50mm ² / 14AWG |
| Cable entry | Screwed cable gland |
| Cable entry minimum | d = 3 mm |
| Cable entry maximum | d = 6 mm |
| Tension relief | Present (conforms to VDI) |
| Type of fixing | Wall mounting |
| Service life optical | 4 million flashes minimum |
| Working temperature minimum | -20°C |
| Working temperature maximum | +50°C |
| UL Type Rating | Type 12 |
| Weight with packaging | 118 g |
| Product weight | 89 g |
| ELECTRICAL DATA | |
| Operating voltage | 24V |
| Operating voltage type | DC |
| Operating voltage tolerance | +/- 10% |
| Rated operational voltage | 24 VDC |
| Rated operational current | 100 mA |
| Rated inrush current | 500 mA |
| Protection class | Protection class 2 |
| Pollution degree | 3 |
| OPTICAL DATA | |
| Light source | Xenon |
| Light colour | Red |
| Optical signal image | Flash |
| Flash frequency | 0.75 Hz |
| Flash output | 1 J |

! For additional installation and mounting information, refer to the appropriate user guide at www.werma.com. This printed copy is for information only and is subject to alteration.

Mini free-standing Beacons / Flash Light 205
Flashing Beacon WM 24VDC RD

DRAWING



! For additional installation and mounting information, refer to the appropriate user guide at www.werma.com. This printed copy is for information only and is subject to alteration.